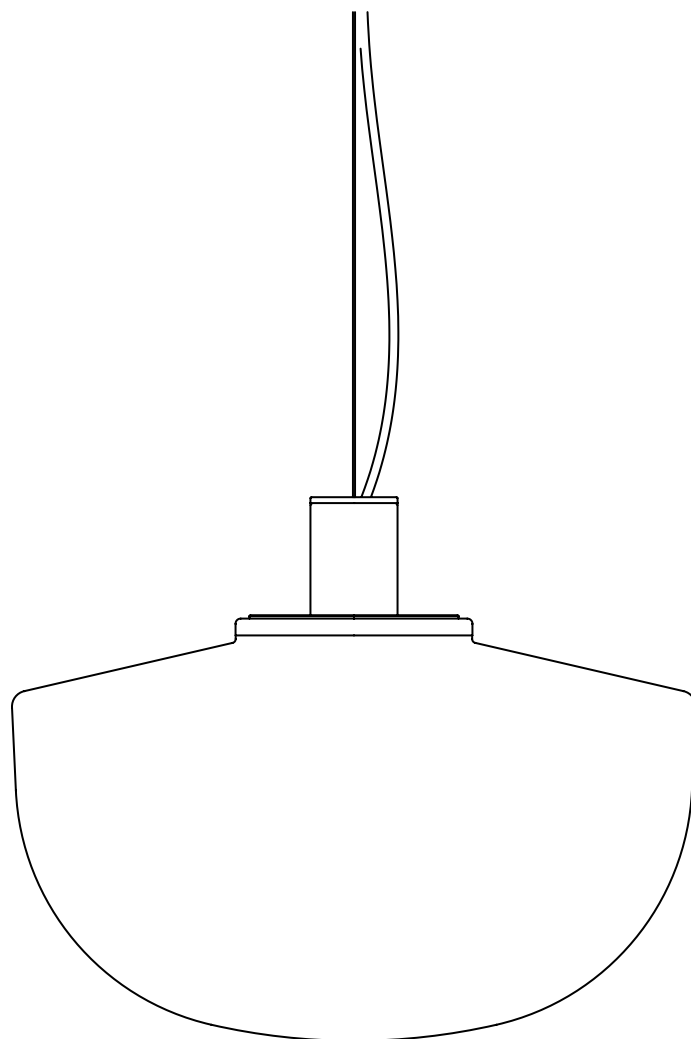


Bank Pendant by Norm Architects



Congratulations:

Congratulations on your new lamp designed by Norm Architects. We hope you will enjoy using this lamp and follow these instructions to ensure correct installation. These instructions are provided for your safety. It is important that the instructions are read carefully and completely before assembling.

Bank Pendant

Black canopy.

4 m PVC cable and stainless steel wire.

Anodized aluminum fitting.

Bakelite E27 lamp holder.

Glossy opal or smoke glass.

Please check the specific rules for electrical installation work in your country.

Some countries may require an authorised electrical contractor.

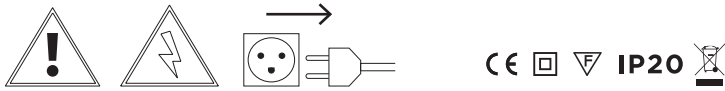
NOTE!

Do NOT overtighten the screw.

If overtighten, the glass shade will break.

IMPORTANT

If you have any problems regarding the electrical installation, contact a certified electrician. Always shut off power to the circuit before starting installation work. The external flexible cable or cord of this luminaire cannot be replaced. If the cord is damaged, the luminaire shall be destroyed.

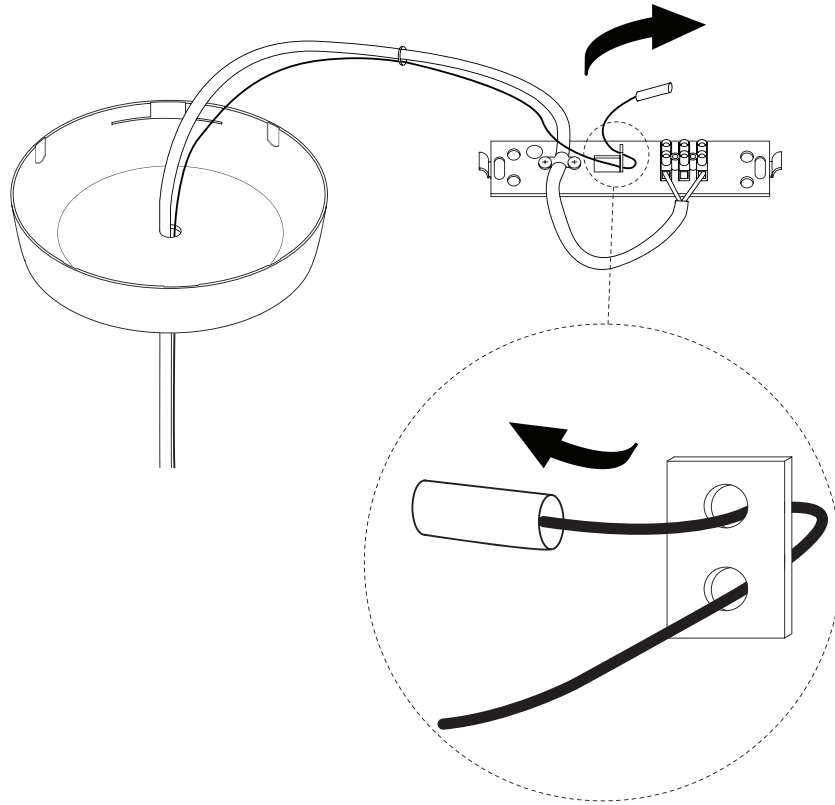




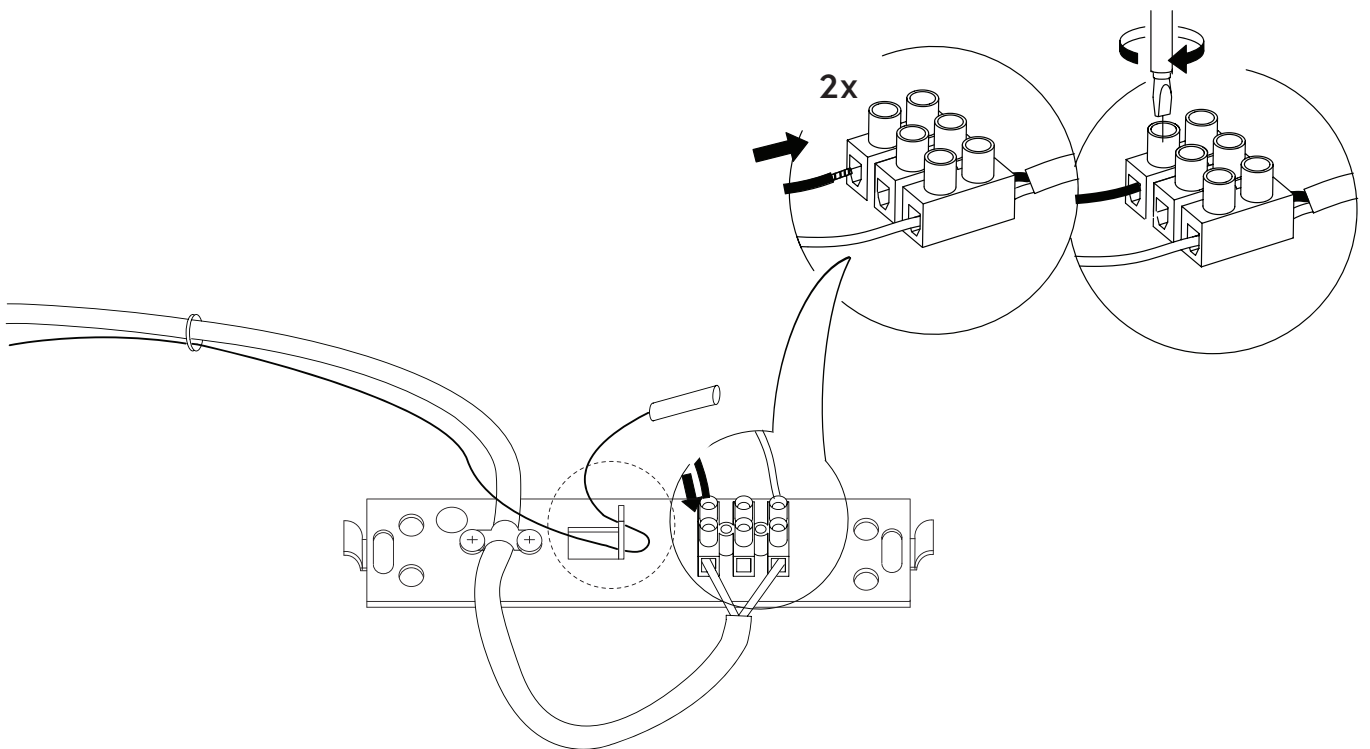
Correct Disposal of this product

This marking indicates that this product should not be disposed with other household wastes throughout the EU. To prevent possible harm to the environment or human health from uncontrolled waste disposal, recycle it responsibly to promote the sustainable reuse of material resources. To return your device, please use the return and collection system or contact the retailer where the product was purchased. They can take this product to environmentally safe recycling.

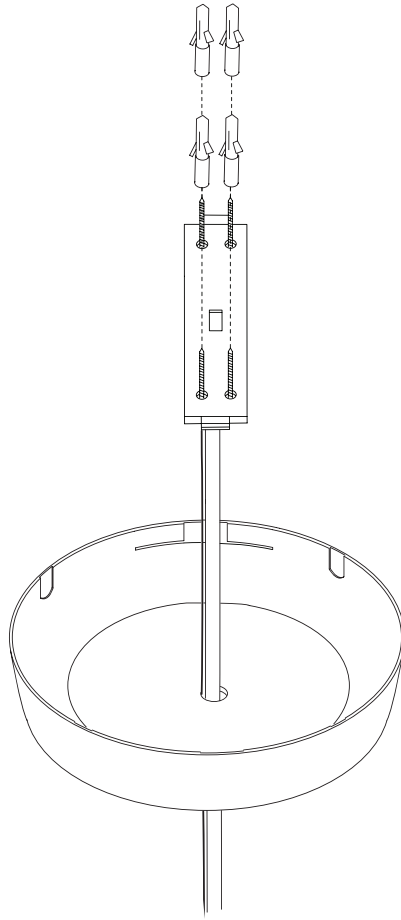
1



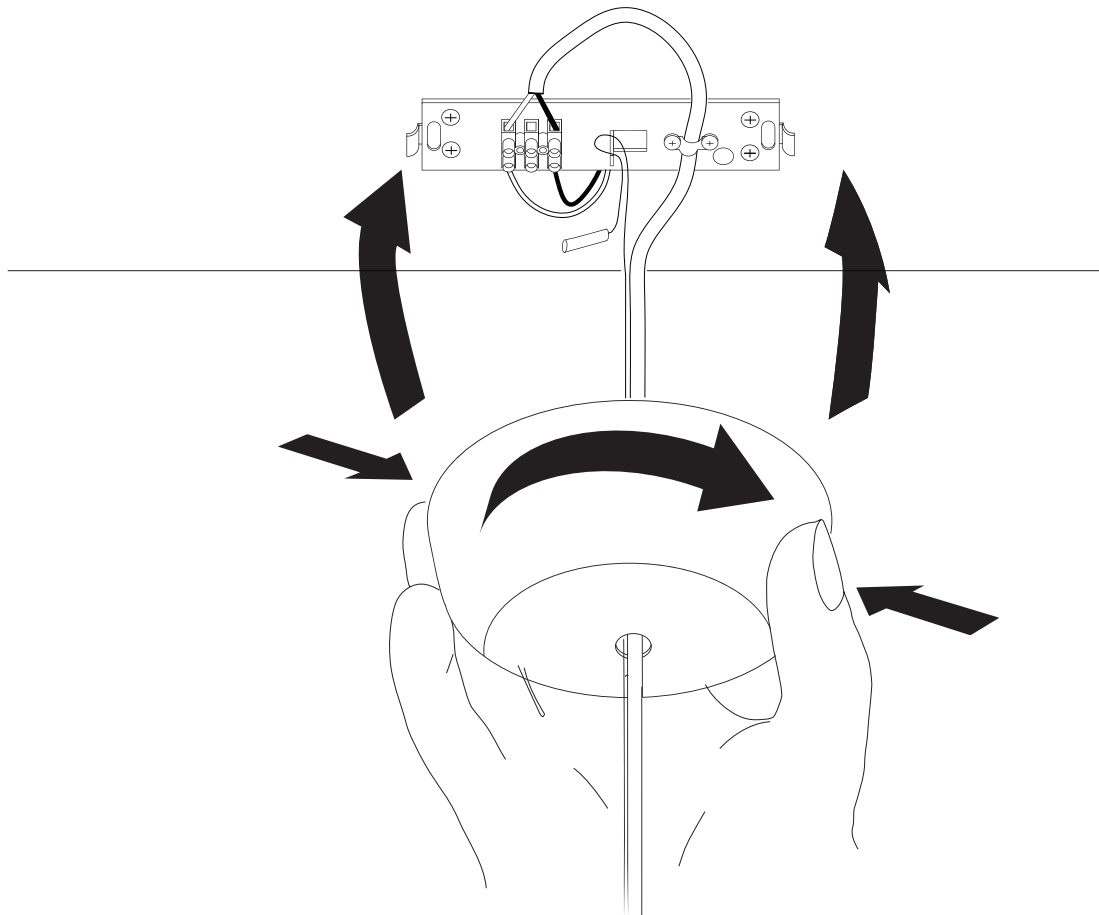
2

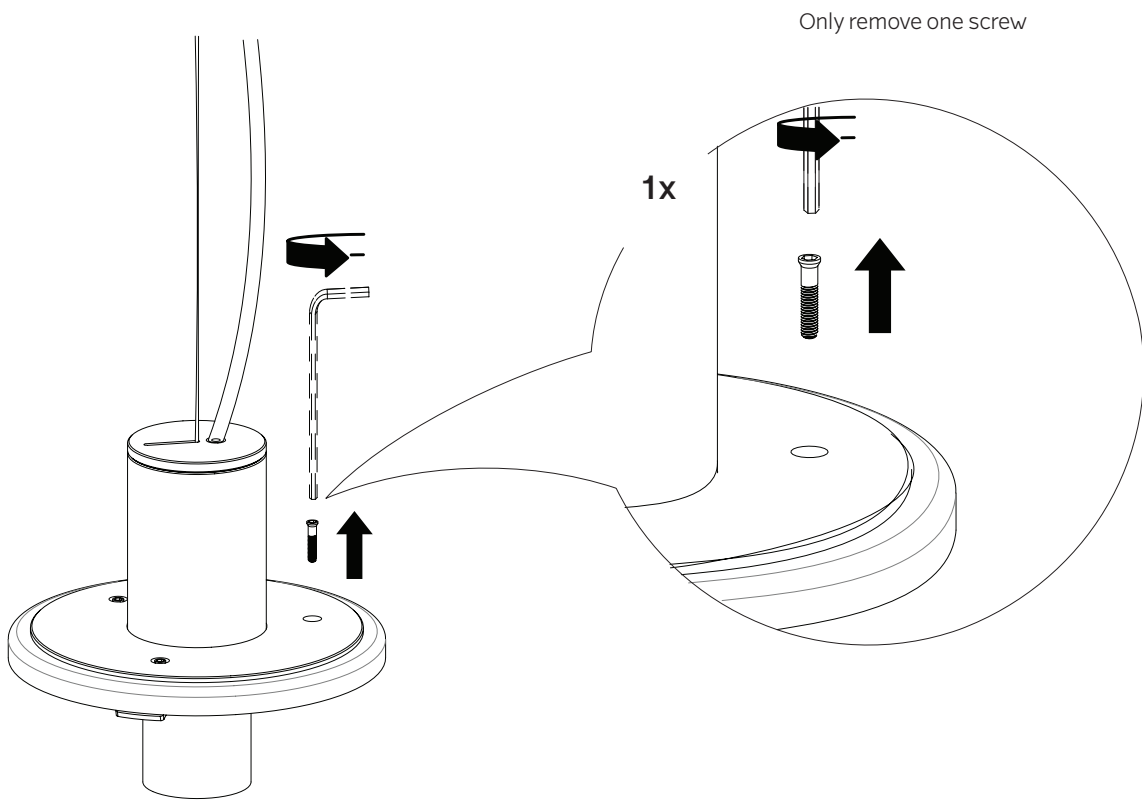


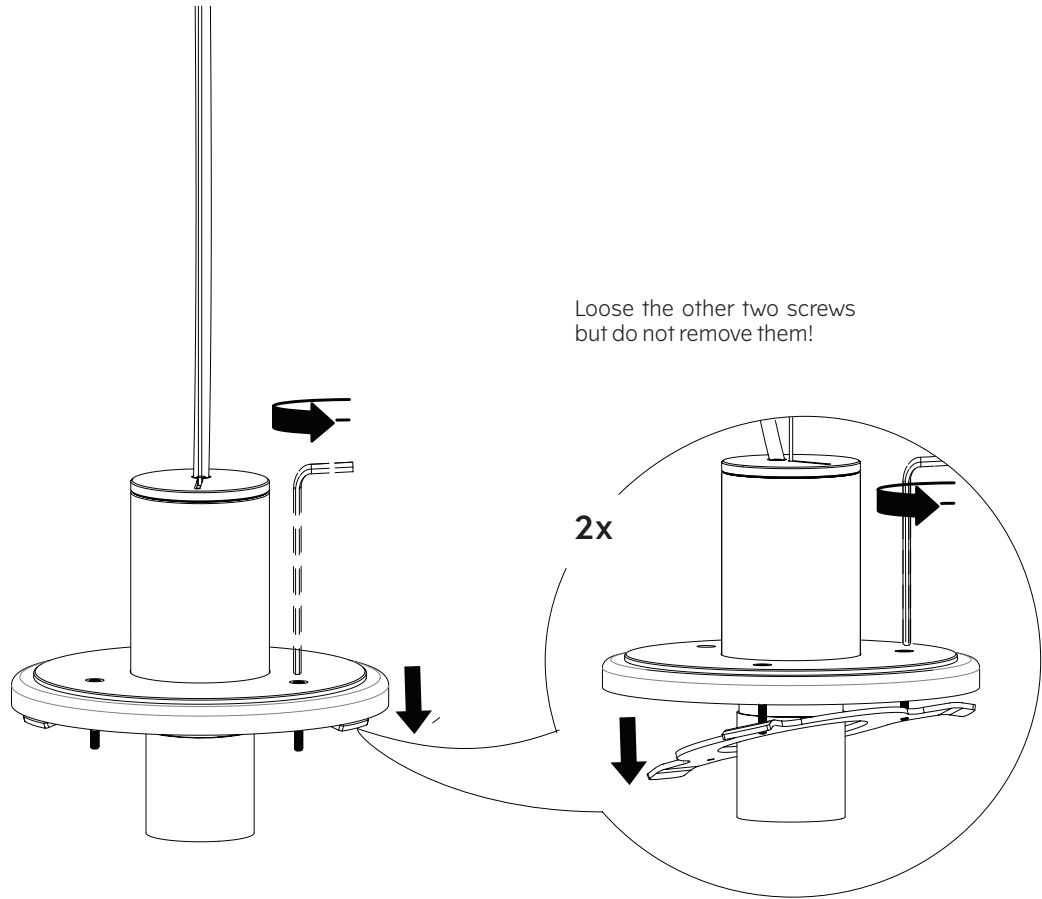
3



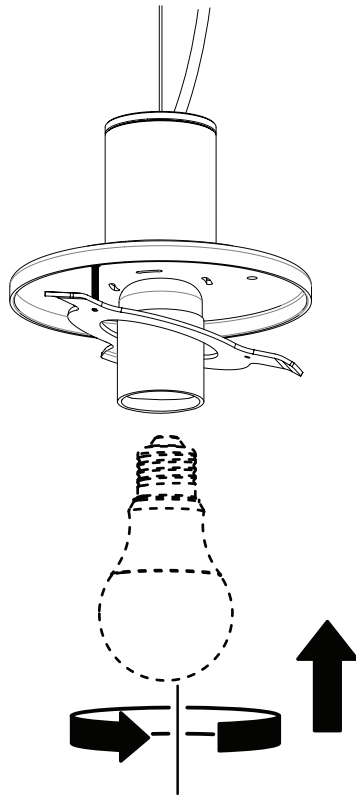
4







7



8

