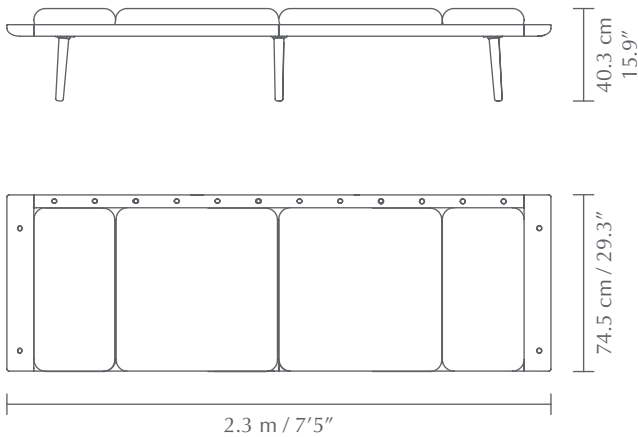


LOUNGE AROUND | DAYBED

Designed by Søren Ravn Christensen



DIMENSIONS

H x W x D: 40.3 x 231.6 x 74.5 cm / 15.9 x 91.2 x 29.3"



TESTS & CERTIFICATIONS

EU: Passed EN 16139 (L1) & EN 1022



Flip 180°

Reversible cushion with a thin tray on the reverse side



MATERIAL

Solid oak, MDF, Steel (plated brass) and Polyester in slate grey / dark grey (Marbella). Find more information in the Kingston fabric spec sheet.



CONSTRUCTION

Frame: Solid oak, MDF and steel (plated brass).

Tongue and groove, mortise and tenon, dowel joinery. Reinforced with glue and screws. Clear top coat wood finish. **Backrest:** Loose. Steel frame with 38 kg 170 Newton foam. **Seat cushion:** Loose. Core of 38 kg 170 Newton foam, top filling 30% feathers and 70% airblown polyester ball fiber. **Back cushion:** Loose. Airblown polyester ball fiber. **Fabric:** 100% polyester.



WEIGHT INCL. PACKAGING

Box 1: 38.5 kg / 15.2"

Box 2: 12.8 kg / 5"



PACKAGING DIMENSIONS

Box 1 (L x W x H): 90 x 137 x 17 cm / 35.4 x 54 x 7"

Box 2 (L x W x H): 74 x 78 x 41 cm / 29.1 x 30.7 x 16.1"



ASSEMBLY TIME

30 min - video guide at umage.com



MEDIA KIT

Photos and press material

Download at umagepress.com



ORDERING INFORMATION

Lounge Around daybed oak

EU #5550+5550-1

US #5550+5560-1

UK #5550+5551-1

Lounge Around daybed dark oak

EU #5750+5550-1

US #5750+5560-1

UK #5750+5551-1

Colour variations



oak



dark oak



LOUNGE AROUND | DAYBED

Designed by Søren Ravn Christensen



MULTIFUNCTIONAL AND FLEXIBLE

Lounge Around daybed is multifunctional and flexible, designed to be the centrepiece of your living room; the perfect place to lie back, relax and recharge.

Available with additional features including a light stand, magazine rack and a table, its simple form and economical depth make it ideal for compact living.

With the Lounge Around accessories you can add extra functionality. Add the Round Table, so you have an extra side table close by, for your laptop or a cup of tea. The Side Pocket offers storage for your weekly newspapers and magazines. Enhance the ambiance by the Lounge Around with the Light Around lamp.

All accessories for the Lounge Around can be modulated and placed exactly where you need it, by using the holes in the back and on the sides of the daybed. When the holes are not used for the Lounge Around accessories, they can be covered by brass brackets included when buying Lounge Around daybed.

Find more info on our website umage.com

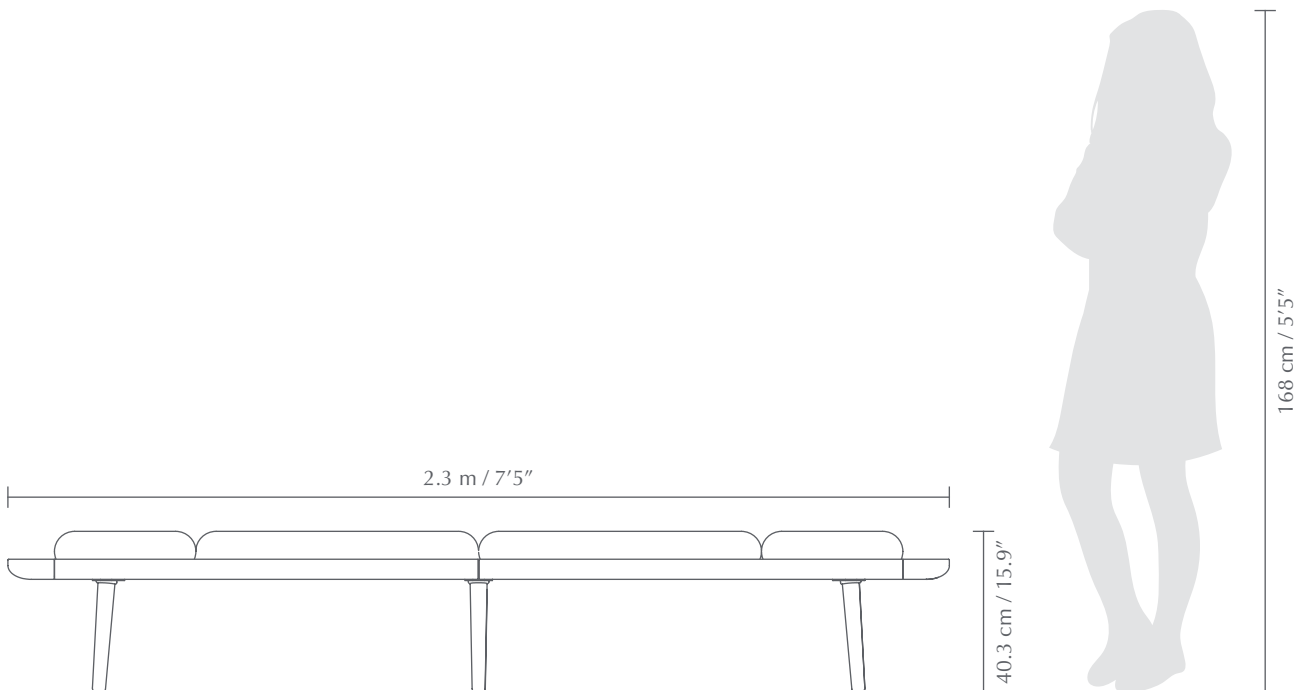
RECOMMENDED ACCS.

Light Around white	EU/UK #5400 / US #5408
Light Around black	EU/UK #5401 / US #5409
Side Pocket	EU/UK/US #5402
Round Table oak	EU/UK/US #5403
Round Table dark oak	EU/UK/US #5404
Lean Back	EU #5405 / US #5307 / UK #5406



LOUNGE AROUND | DAYBED

Designed by Søren Ravn Christensen




UMAGE

The specifications and dimensions are subject to change without notice. Document date: 30-06-2021 | info@umage.com | umage.com
Kongens Nytorv 15, DK-1050 Copenhagen K | +45 31 39 31 31 (tel) & 185 Wythe Ave 2FL, Brooklyn, NY 11249 | +1 646-790-7171 (tel)