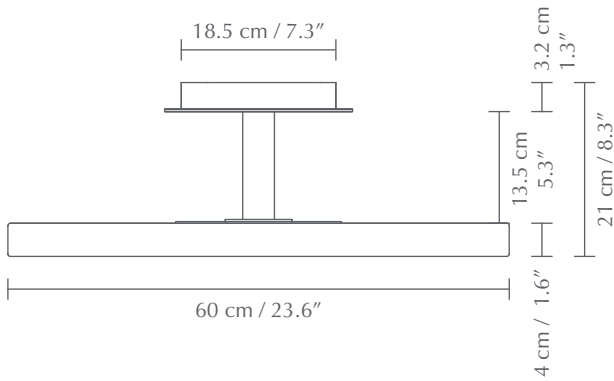



# ASTERIA UP

Designed by Søren Ravn Christensen




 Surface mounted lamp


 **TESTS & CERTIFICATIONS**  
CE (for indoor use), IP2X, cETLus certified

 **DIMENSIONS**  
Ø: 60 cm / 23.6"  
H: 21 cm / 8.3"

 **MATERIAL**  
Steel, aluminium and PMMA  
Metal canopy

 **WARRANTY**  
10 years warranty against manufacturer defects

 **WEIGHT INCL. PACKAGING**  
8.3 kg / 18.3 lb

 **LIGHT SOURCE**  
37W LED panel incl. ambient top light. 3000 K - 2300 lm  
RA: >80. 25000 H  
Dimmable with external dimmer\*

 **PACKAGING**  
Gift box dimensions (L x W x H):  
81.8 x 62.2 x 7.7 cm / 32.2 x 24.5 x 3"

 **ASSEMBLY TIME**  
10 min - video guide at [umage.com](https://umage.com)

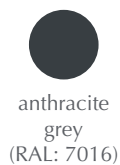
 **MEDIA KIT**  
Photos and press material  
Download at [umage.presscloud.com](https://umage.presscloud.com)

 **ORDERING INFORMATION**  
Pearl white EU/UK/APAC #2329 / US #2335  
Anthracite grey EU/UK/APAC #2330 / US #2336



Colour variations

\* For recommended external dimmers, go to [umage.presscloud.com](https://umage.presscloud.com)



  
**UMAGE**

The specifications and dimensions are subject to change without notice. Document date: 31-08-2021 | [info@umage.com](mailto:info@umage.com) | [umage.com](https://umage.com)  
Havnegade 29, DK-1058 Copenhagen K | +45 31 39 31 31 (tel) & 185 Wythe Ave 2FL, Brooklyn, NY 11249 | +1 646-790-7171 (tel)

# ASTERIA UP

Designed by Søren Ravn Christensen



## SUBTLE YET POWERFUL

Finding the right light for the kitchen and hallways can be a challenge. The Asteria Up ceiling lamp from UIMAGE is not only offering the perfect light but is also a very discrete and stylish solution. The lampshade is placed on a brass base, adding a refined expression to the lamp design.

A top panel provides an ambient light upwards as well, enhancing the details of the design and secures a soft atmosphere in the surrounding space.

*Find more info on our website [umage.com](https://umage.com)*

