

Trefoil Round Table Ø75, Ø90 & Trefoil Square Table 68x68

Assembly guide



Trefoil Round Table Ø75



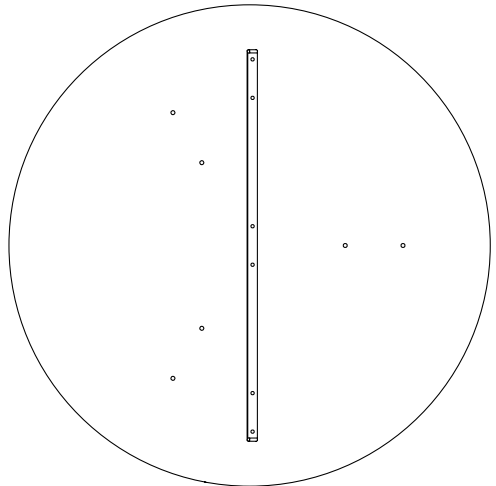
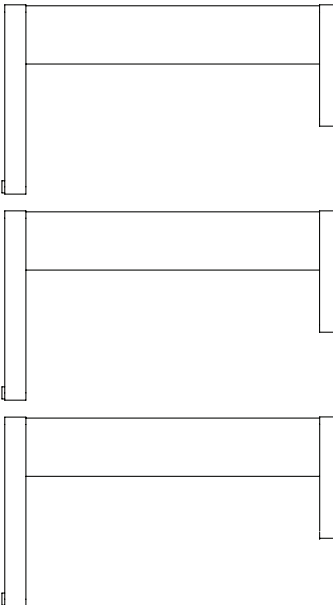
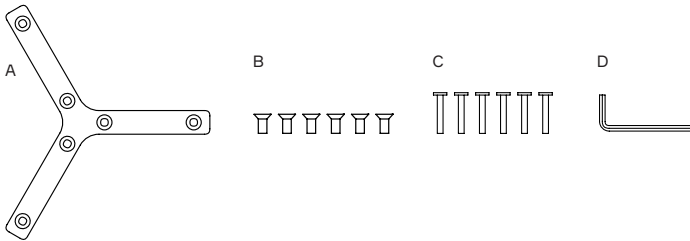
Trefoil Round Table Ø90



Trefoil Square Table 68x68

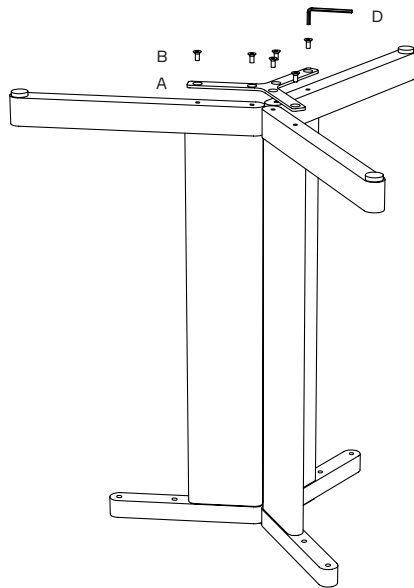
Components

This guide covers the steps of assembling Trefoil Round Table Ø75 & Ø90 and Trefoil Square Table 68x68. The form and amount of components may therefore vary from those shown in the diagrams throughout this guide. However, the assembly steps remain the same. Place the components on a blanket to avoid scratches on the floor and on the product.



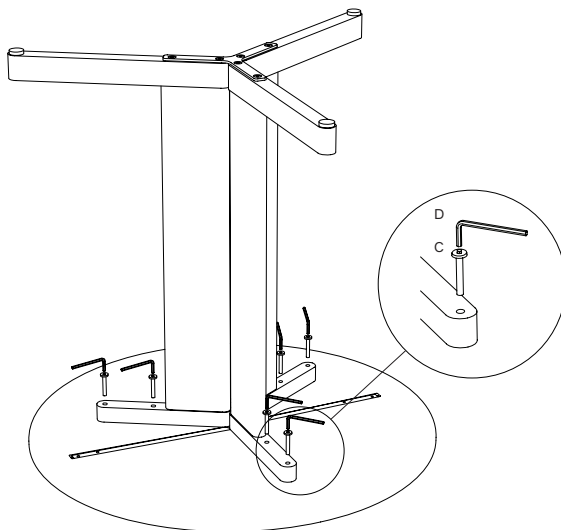
Step 1

Place the three leg components close together like shown. Mount the bracket (A) using the short screws (B) and the allen key (D). Do not overtighten the screws.



Step 2

Place the assembled base on the tabletop and mount the long screws (C).



Step 3

Turn around the table with the help of two people and the product is assembled. You can now adjust the gliders to stabilize the product.

Important: Screws may loosen over time due to use or vibration. Check and tighten them regularly to maintain stability. We recommend re-tightening (but not over-tightening) the screws approximately every six months. This helps your furniture stay stable and maintain its quality for years to come.

