

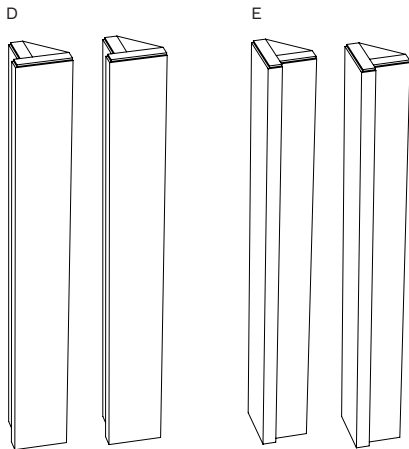
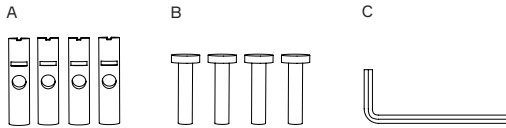
## Element Table

---

Assembly guide

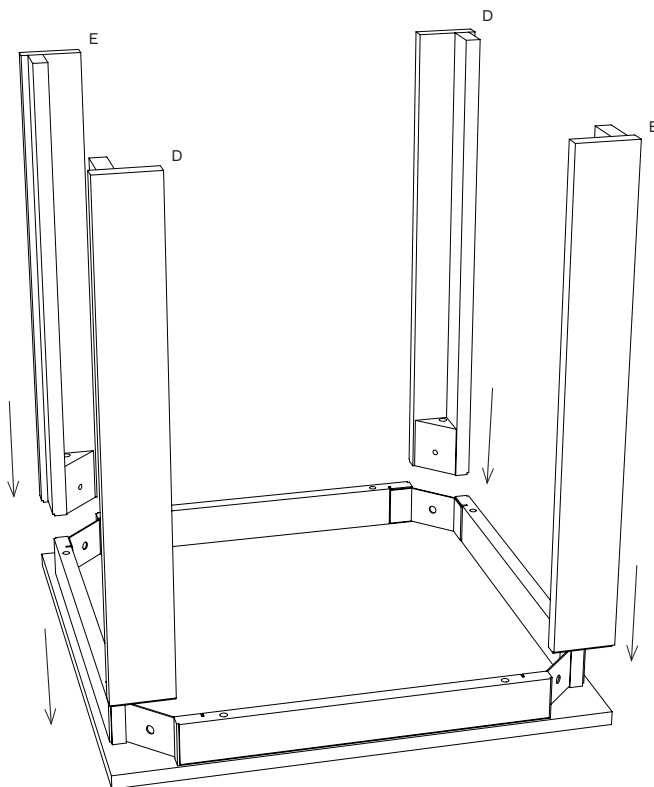
### Components

Place the components on a blanket to avoid scratches on the floor and on the product.



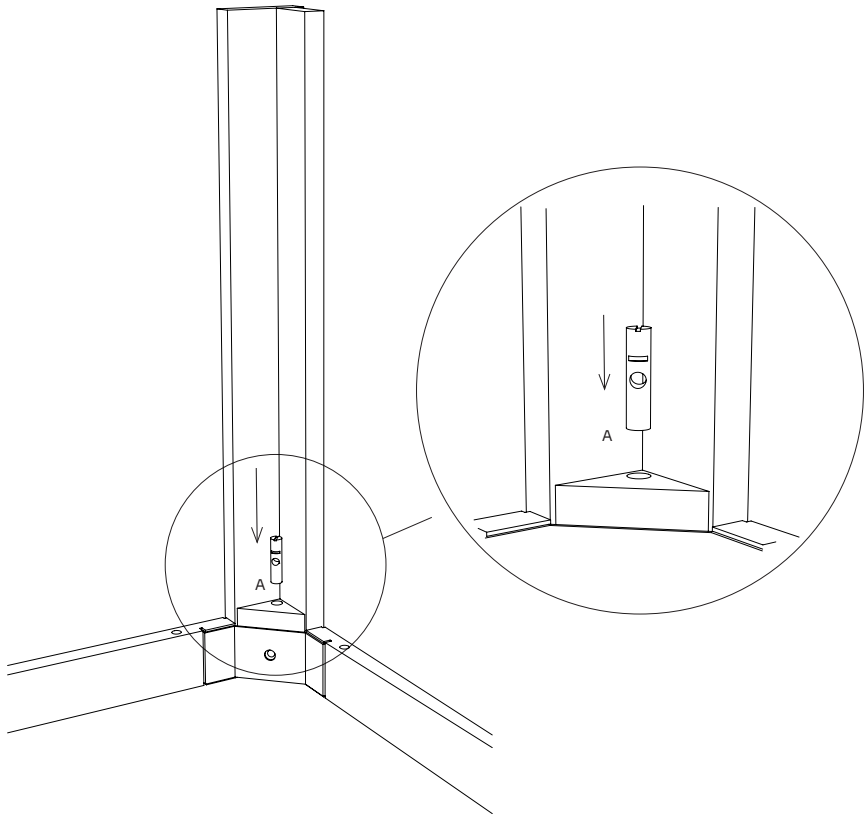
## Step 1

Place the tabletop (F) face down on a soft surface. Position one leg at each corner, with the end featuring the triangular wooden block facing upward, toward the tabletop. Please note that there are two different types of legs (D and E), as shown in the component overview. Ensure that each leg is placed in the correct position so that it aligns flush with the tabletop edges, as illustrated.



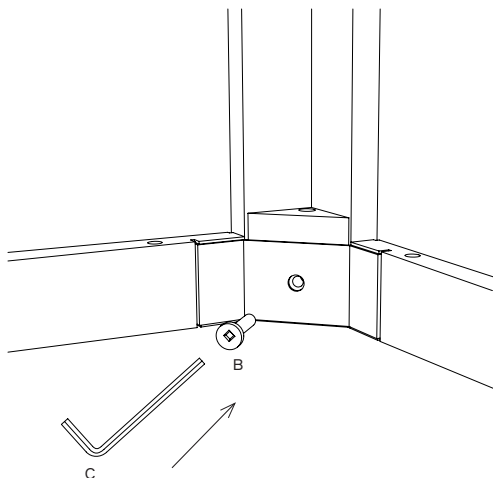
## Step 2

Insert a cross bushing (A) into the triangular wooden block on each leg. It is important that the cross dowel is oriented exactly as shown in the illustration: The slot should face upward, and the small notch above the screw hole should point toward the center of the table.



### Step 3

Insert the four screws (B) into each hole in the metal brackets, then use the Allen key (C) to tighten them securely.



### Step 4

Once all four legs are securely fastened as shown in step 4, the table is fully assembled and can be turned upright.

**Important:** Screws may loosen over time due to use or vibration. Check and tighten them regularly to maintain stability. We recommend re-tightening (but not over-tightening) the screws approximately every six months. This helps your furniture stay stable and maintain its quality for years to come.

