

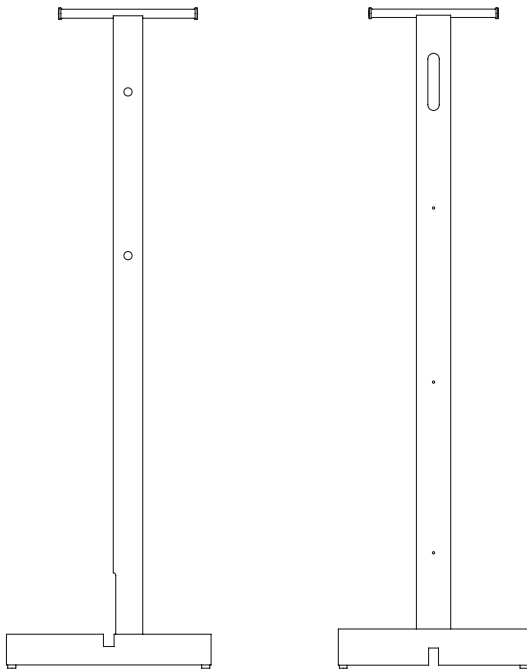
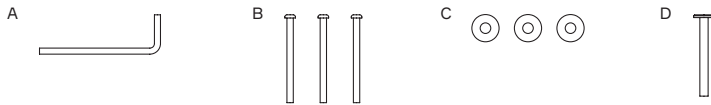
# Foyer Coat Stand

---

Assembly guide

## Components

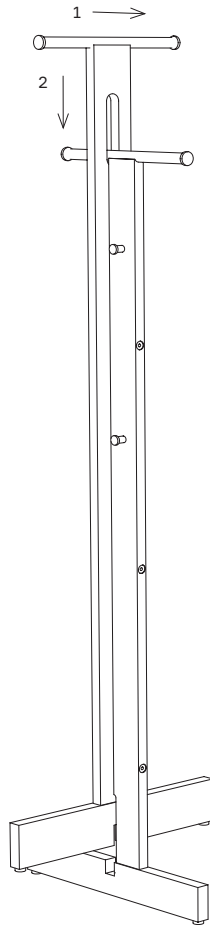
Place the components on a blanket to avoid scratches on the floor and on the product.



Video assembly guide

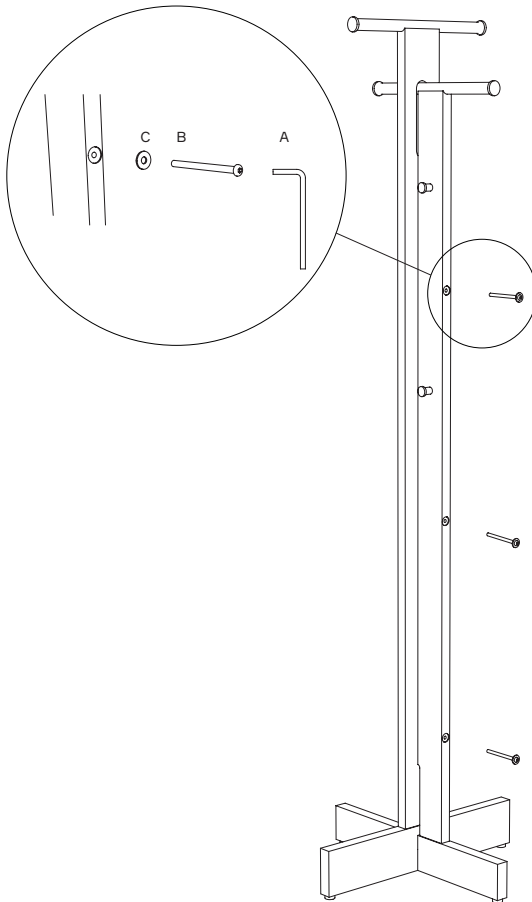
### Step 1

Assemble the two parts of the Foyer Coat Stand by pushing them together, as shown in the diagram.



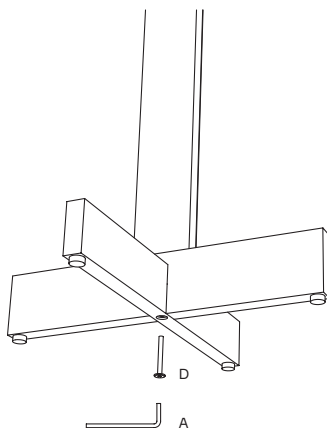
## Step 2

Mount the three supplied screws (B) together with the three washers (C) using the allen key (A).



### Step 3

Mount the supplied bottom screw (D) using the allen key (A).



### Step 4

You can now adjust the gliders to stabilize the product.

**Important:** Screws may loosen over time due to use or vibration. Check and tighten them regularly to maintain stability. We recommend re-tightening (but not over-tightening) the screws approximately every six months. This helps your furniture stay stable and maintain its quality for years to come.

