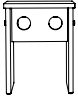
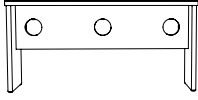


Remake Stool

Assembly guide



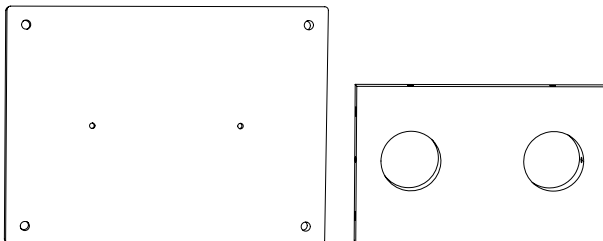
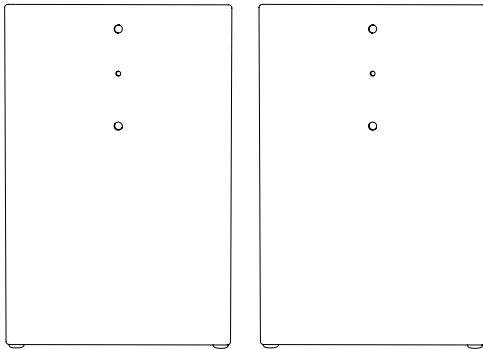
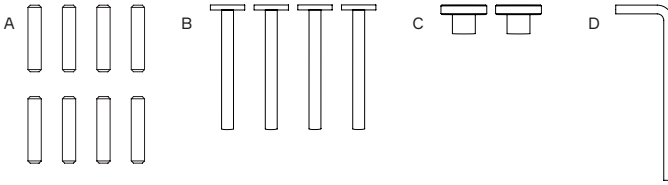
Remake Stool



Remake Bench

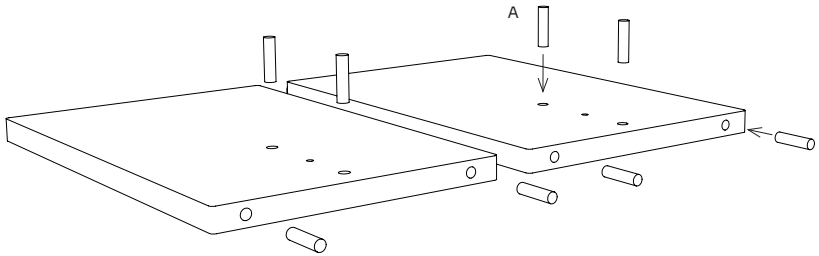
Components

This guide covers the steps of assembling both Remake Stool and Remake Bench. The amount and length of components may therefore vary from what is shown in the diagrams throughout this guide, but the procedure is the same. Place the components on a blanket to avoid scratches on the floor and on the product.



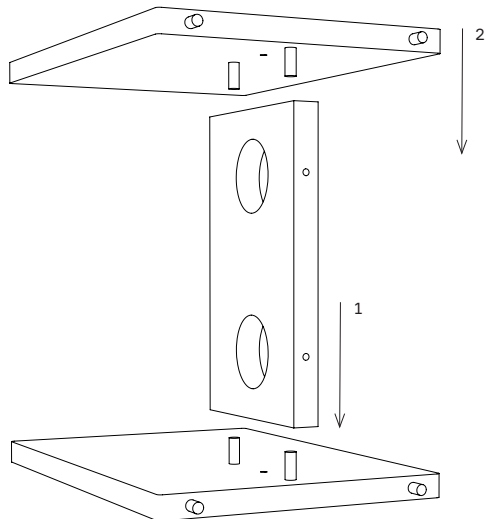
Step 1

Insert all the dowels (A) into the holes on both legs, as shown in the diagram.



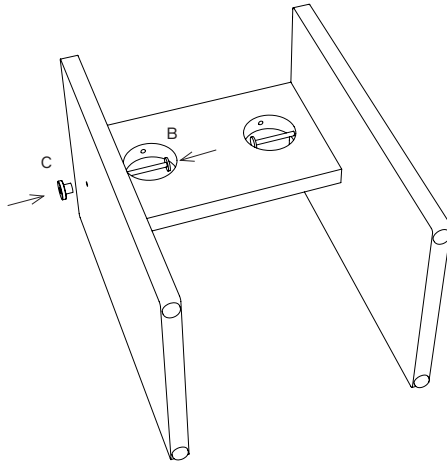
Step 2

Assemble the stool legs using the dowels and the apron.



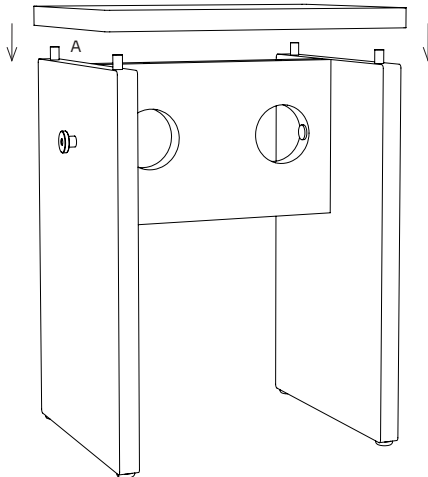
Step 3

Carefully flip the furniture over and secure the screws (B) through the holes in the apron by tightening them into the hand screws (C).



Step 4

Carefully turn the furniture over and attach the seat to the dowels (A).



Step 5

Secure the seat further by inserting 2 screws (B) through the holes in the apron and into the seat using the allen key (D). The stool is now fully assembled.

Important: Screws may loosen over time due to use or vibration. Check and tighten them regularly to maintain stability. We recommend re-tightening (but not over-tightening) the screws approximately every six months. This helps your furniture stay stable and maintain its quality for years to come.

