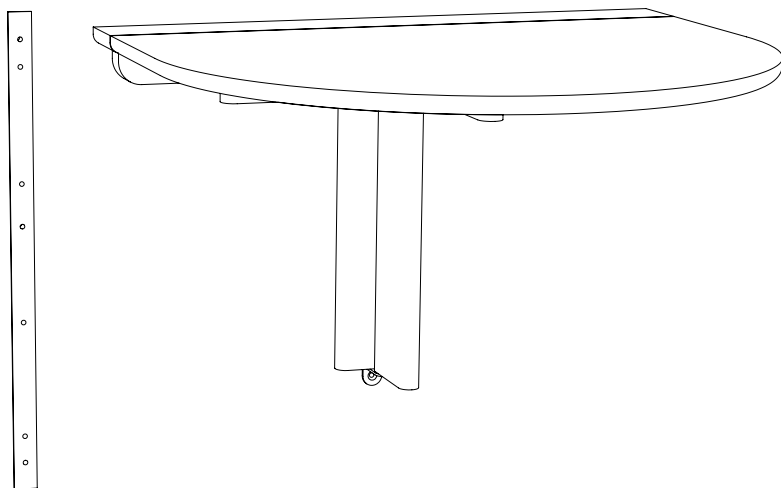
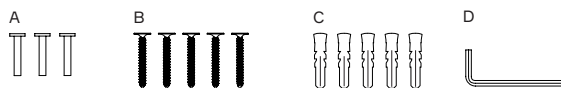


Trefoil Folding Wall Table

Assembly guide

Components

Place the components on a blanket to avoid scratches on the floor and on the product.

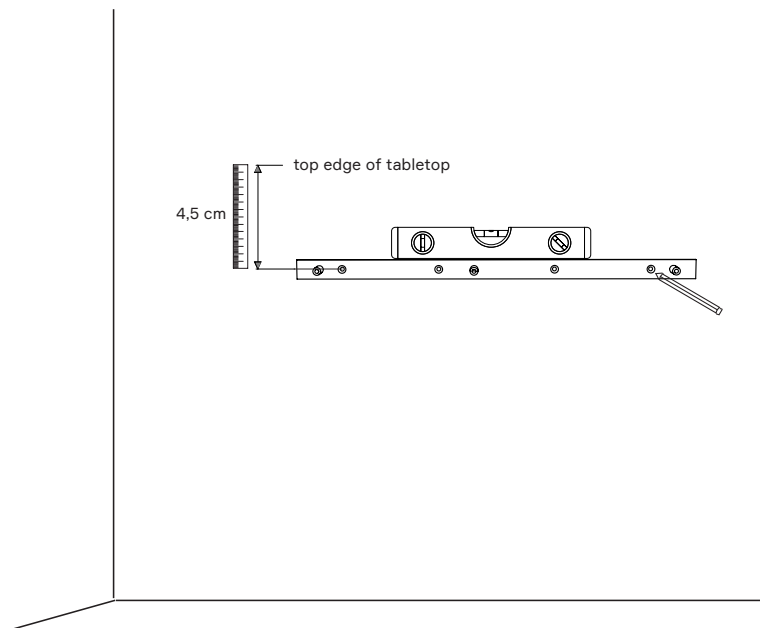


Step 1

Position the bracket against the wall where the table will be mounted. Measure the desired height of the tabletop from the floor and use a pencil to mark the wall through the holes in the bracket. Ensure the bracket is level by using a spirit level.

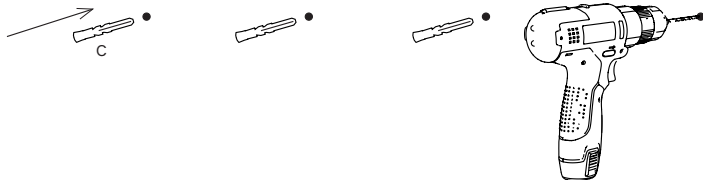
Important note: The distance from the bracket's mounting point to the top edge of the tabletop is approximately 4.5 cm. To achieve the desired tabletop height, mark the wall 4.5 cm lower than the intended height.

For optimal placement, we recommend setting the tabletop height at 73 cm, which requires mounting the bracket at a height of 68.5 cm.



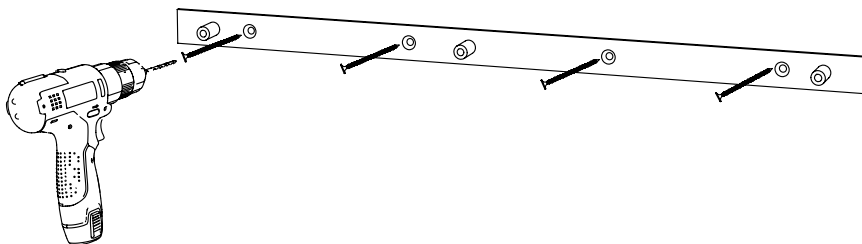
Step 2

Move the bracket from the wall. Use a power drill to pre-drill the four holes at the marked points on the wall. Insert wall plugs (C) into the holes.



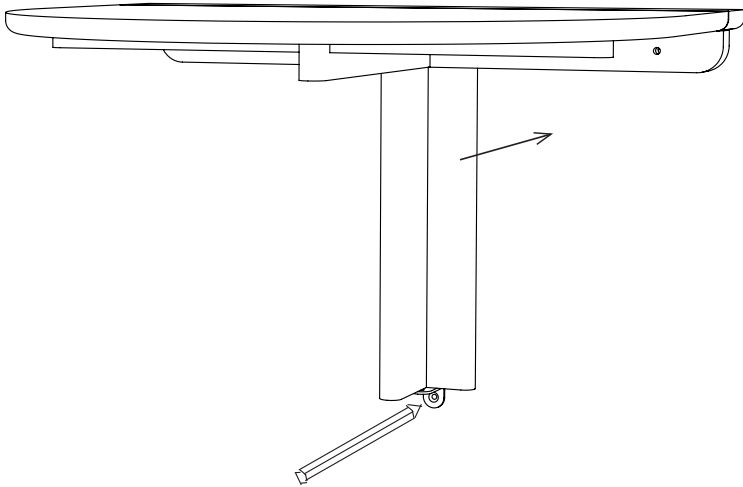
Step 3

Attach the bracket to the wall using four screws (B) and a power drill.



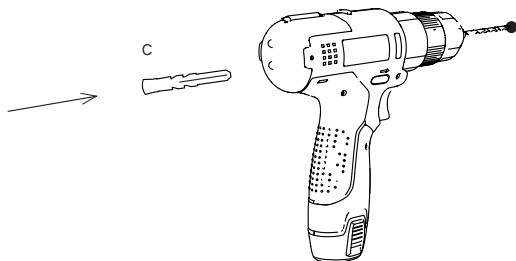
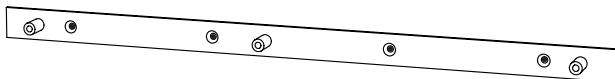
Step 4

With the assistance of two people, lift the table and align it with the bracket. Push the table into position on the bracket, then use a pencil to mark the wall through the lowest hole in the bracket attached to the table.



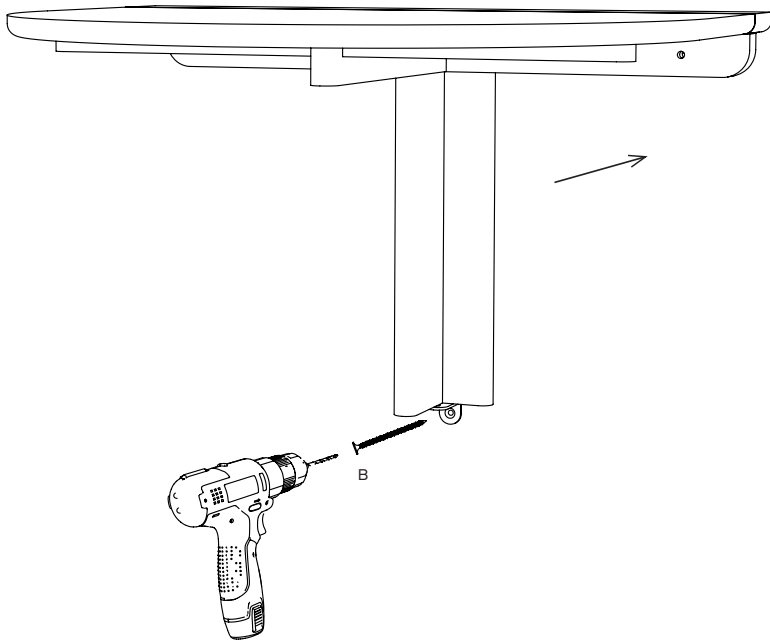
Step 5

Move the table away from the wall-mounted bracket. Use a power drill to pre-drill the hole at the marked point on the wall. Insert a wall plug (C) into the hole.



Step 6

With the help of two people, lift the table and position it against the bracket. Carefully push the table into position on the bracket, ensuring it is securely seated. Using a power drill and screw (B), fasten the table to the wall through the designated hole.



Step 7

Secure the table to the wall bracket using the three screws (A) and the allen key (D).

Important: Screws may loosen over time due to use or vibration. Check and tighten them regularly to maintain stability. We recommend re-tightening (but not over-tightening) the screws approximately every six months. This helps your furniture stay stable and maintain its quality for years to come.

