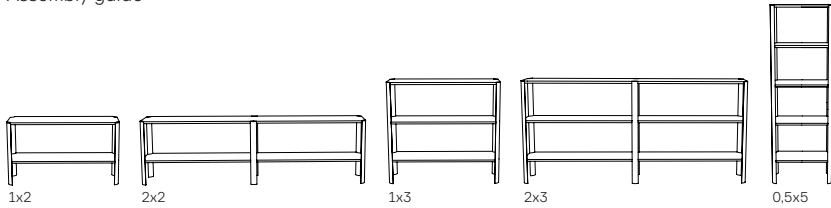


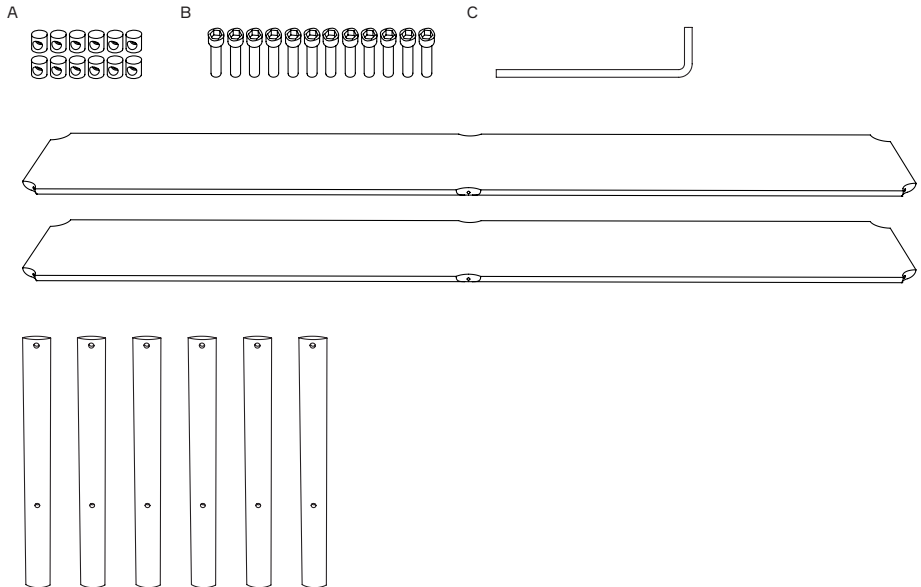
Leaf Shelf 1x2, 2x2, 1x3 and 2x3

Assembly guide



Components

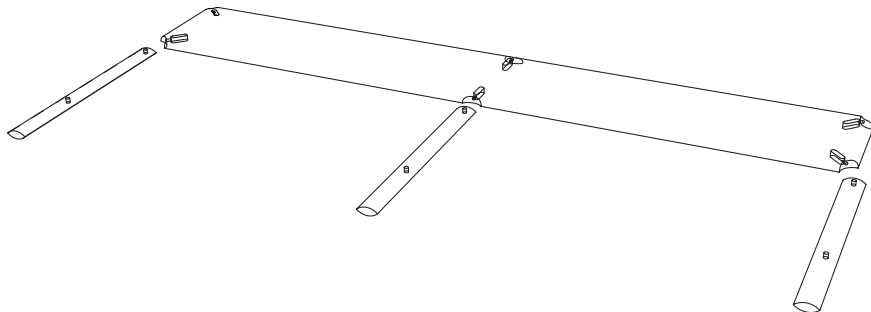
This guide covers the steps of assembling leaf shelf in all sizes (1x2, 2x2, 1x3, 2x3 and 0,5x5). The amount and length of shelf- and leg components may therefore vary from what is shown in the diagrams throughout this guide, but the procedure is the same. Place the components on a blanket to avoid scratches on the floor and on the product.



Video assembly guide

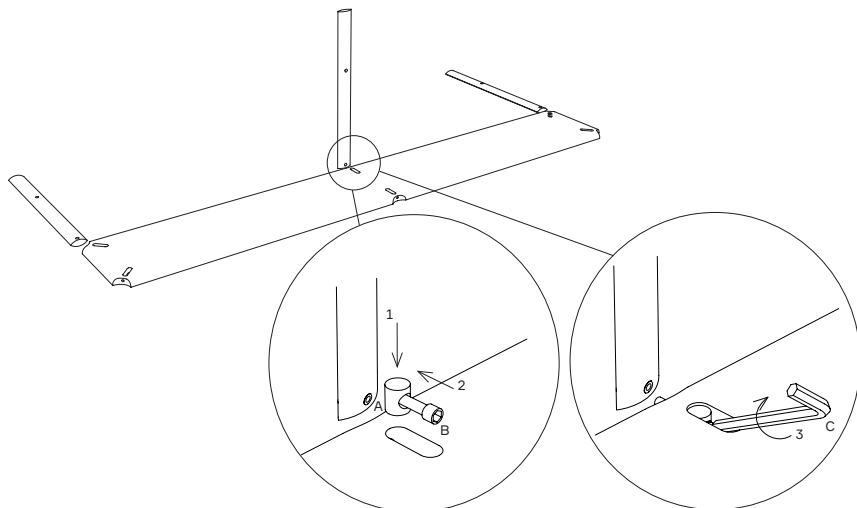
Step 1

Place one of the shelves on a blanket or other soft surface on the floor with the downside facing upwards. Lay the legs of one side next to each other with holes facing up.



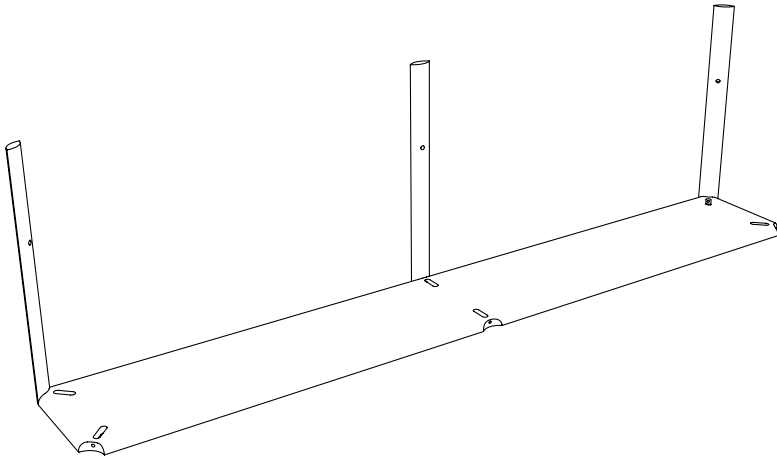
Step 2

Start with securing one leg at a time to the shelf, preferably the middle leg if your product contains 6 legs in total, by mounting the screw (B) and bracket (A) into the hole. Using the ball end of the allen key (C), tighten the screw until firmly connected with the leg.



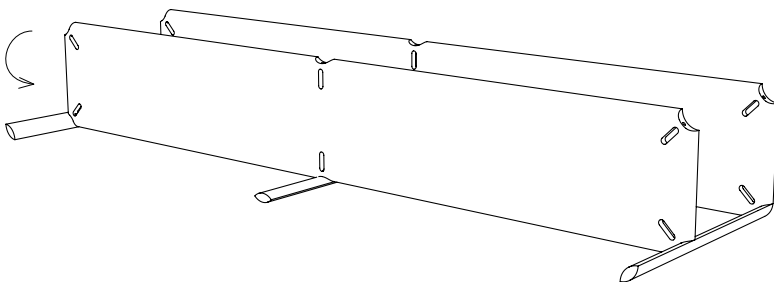
Step 3

Repeat step 2 for all the rest of the legs on one side.



Step 4

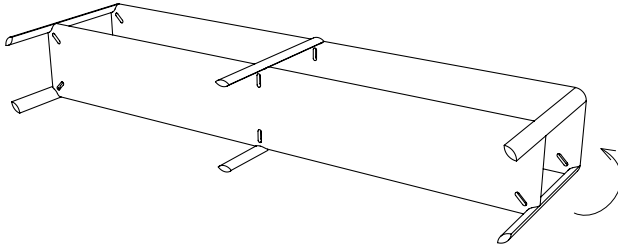
Carefully turn the product over so it lies on the legs as shown below. Repeat step 3 for the next shelf/shelves.



Step 5

One by one, place the remaining legs on the other side to one shelf at a time by repeating step 2-4. Now you can raise the shelf on its legs. Gently wiggle the shelf so that the connections can settle. At this point it is good to go through and re-tighten the screws to be sure everything is aligned and tight.

Important: Screws may loosen over time due to use or vibration. Check and tighten them regularly to maintain stability. We recommend re-tightening (but not over-tightening) the screws approximately every six months. This helps your furniture stay stable and maintain its quality for years to come.



Step 6 (only for Leaf Shelf 0.5x5)

The Leaf Shelf 0.5x5 comes with included wall-mount brackets. Please note that the shelf can be used without mounting the metal brackets. However, we recommend securing it to the wall for added safety and stability, especially in households with children or pets.

