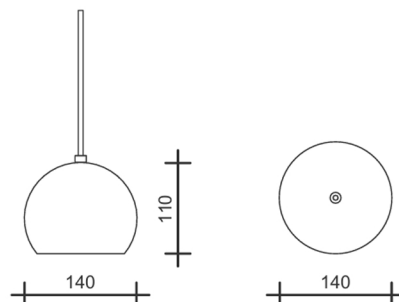


Lune Pendant Lamp

Sverre Uhnger



The perfectly rounded shade made out of solid oak is beautifully contrasted by the contemporary LED light source. The result is a modern lamp with a tactile and welcoming feel.

The Lune Pendant Lamp refers to the Scandinavian word “lunt” (warm, cosy, glowing), reflecting the basic human need for products that make us feel comfortable and at ease.

Lune Lamp is available in fumed, waxed oiled and white pigmented oiled oak.




Sverre Uhnger: “I focus on creating products that are tactile and honest, so it feels natural to the user. The Lune Lamp is a case study of combining craftsmanship with modern LED technology. The warm light and the curves of the cord adds life to the sparsely detailed wooden shape”.

Lune Lamp is a fusion of woodcraft, material and modern technology.

Dimensions

Shade	Ø 140 mm
Wire	3 m
Box	200 x 200 x 260 mm
Weight	0,7 kg

#Reference

	Oak, White Oiled, White Electric Cord	LUPE-OWO
	Oak, Oiled, Black Electric Cord	LUPE-OOL
	Fumed Oak, Oiled, Black Electric Cord	LUPE-OFU