

101

C O P E N H A G E N



Toe Chair, Flat - Warm Ash (C142)

Designed by

Kristian Sofus Hansen &
Tommy Hyldahl

Toe Chair, Flat - Warm Ash (C142)

Product Description

A tribute to 70s futuristic design and space age, the Toe Lounge Chair Flat is a lounge chair with expressive aesthetics and luxurious seating comfort.

Characterized by a sculptural approach to furniture design, the Toe Chair Flat emphasises a certain smooth and softness cocooning around the body. The open chair form adds a free and casual seating experience, easy to move around in the chair and have conversations. The unique combination of foams ensures an overall high seating comfort.

Designed for life outdoors, the Toe Chair, Flat in Warm ash stands strong against sun, rain, and the passage of time preserving its beauty and comfort season after season. Upholstered in Sunproof, a high-performance fabric made from Olefin, the chair is designed to thrive in outdoor environments. Combined with Quick Dry Foam the Chair is resistant to rain, sunlight, and daily wear, Sunproof offers a sophisticated Warm Ash colour, a grey-beige texture that harmonizes beautifully with natural outdoor surroundings.

Designer Description

Tommy Hyldahl and Kristian Sofus Hansen intertwine their distinct sensibilities to create designs where storytelling, materiality, and timeless form meet in quiet harmony.

With a background in fashion, Tommy brings an intuitive eye for trends, colors, and textures. His process is one of layering histories, blending details and references from past design periods and reimagining them into something fresh and contemporary. Each collection unfolds as a narrative, evolving from concept to creation, with every element contributing to a greater story.

Kristian, who has lived and studied in Japan, seeks to unite Japanese aesthetics with Danish design, creating a characteristic twist on simplicity itself. His work is defined by the search for subtle, original details that elevate each piece with a unique signature. Drawing inspiration from art and sculpture, his creative process unfolds in new and exciting ways, always striving to craft designs that are both functional and timeless.

Together, they craft design that transcends time, poetic yet practical, expressive yet enduring.



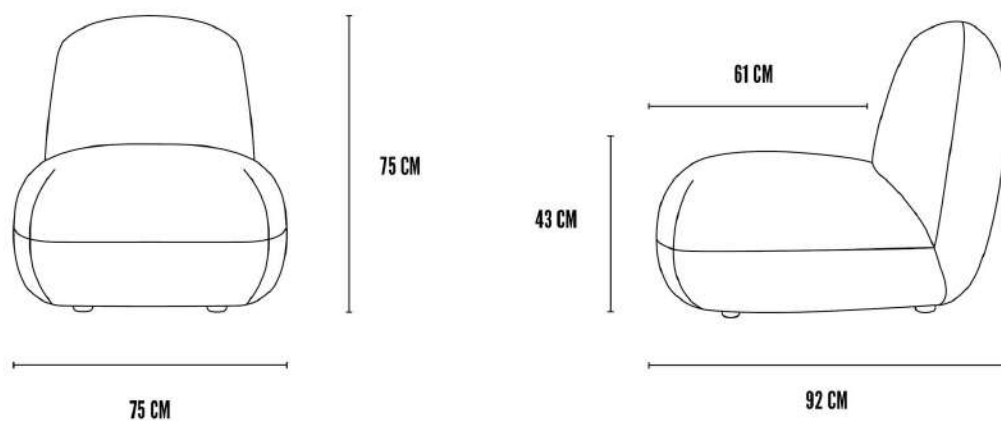
Toe Chair, Flat - Warm Ash (C142)

Main

SKU	251015	Product Family	Toe
Product name	Toe Chair, Flat - Warm Ash (C142)	Color	Warm Ash (C142)
Product Type	Lounge Chair	Size	Regular
		Unit	Piece

Logistics

EAN number	4251501412588	Package - CBM	0.573
Package height in cm	79.00	Package - Weight KG	28.000
Package width in cm	93.00	Tariff Code No	9401610000
Package length in cm	78.00	Country of origin	China
Suitable for Courier	No	Quantity of Inner Boxes	1



Toe Chair, Flat - Warm Ash (C142)

Product

Materials	Sunproof Olefin	Net weight in kg	23
Item Height in cm	75.00	Space Suitability	Outdoor
Item width in cm	92.00	Strength Test	No
Item length in cm	75.00	FSC Wood	No

Upholstery

Fabric	Southend 142	Cigarette Test - CAL-117	No
Martindale	18.000	Cigarette Test - EN 1021-1	Yes
Colour Fastness to Light	UV Standard 801	Cigarette Test - BS5852 Part 1	No
Pilling	2.000 Rubs	Match Flame Test - EN 1021-2	No
Oeko Tex	Yes	Ignition Source 5 (Crib 5) - BS 5852 Part 2	No
Fire Test Foam	CAL-117	NF P92-507 - Class M1	No

Toe Chair, Flat - Warm Ash (C142)

Family Description Text

The Toe Series is more than a collection of lounge furniture. It is an ode to the bold optimism of the 1970s space age, reimagined for contemporary living. Here furniture becomes sculpture and comfort becomes a form of architecture. Thick, fluted upholstery flows across seamless forms like a soft rhythm, shaping generous volumes that feel both expressive and serene.

Defined by rounded geometries and sculptural proportions, the series shares a unified language of tactile softness and effortless comfort. Seats and backrests are shaped from layers of premium foam, creating flowing contours that gently embrace the body while maintaining a strong architectural presence.

Most pieces express the purity of the upholstered form, including the Toe Ottoman, Toe Lounge, Toe Armchair and Toe Flat. The Toe Armrest Chair and Toe Sofa Armrest introduce a contrasting architectural element through solid oak armrests for indoor settings or teak for outdoor environments. Formed from thick planks and shaped like subtle wings, they provide natural support for the hand while also serving as a practical resting surface for everyday essentials.

Together the Toe Series transforms interiors into spaces of imagination where the spirit of futurism meets contemporary craftsmanship. More than seating, it is comfort shaped into sculpture and design distilled into poetry.

Color Description

Warm Ash is a refined grey-beige neutral with a gentle warmth, created by weaving soft taupe and off-white threads together. The interplay of these tones forms a subtle pattern that adds natural depth and brightness, blending into a balanced warm ash appearance. Calm and timeless, it recalls the softness of sunlit ash wood or pale limestone, making it a versatile choice for modern and classic settings alike.

Toe Chair, Flat - Warm Ash (C142)

Maintenance Guide Description

Sunproof upholstery is crafted for long-lasting comfort and resilience in outdoor environments. To preserve its beauty, vacuum or brush the fabric regularly to remove dust, pollen, and loose dirt. Spills should be blotted immediately with a clean, dry cloth; for most marks, rinsing with fresh water is enough.

For deeper cleaning, wash with a mild soap solution and lukewarm water using a soft sponge or cloth, then rinse thoroughly to prevent residue. Always allow the fabric to air-dry naturally avoid tumble drying, heat, or harsh chemicals such as bleach, which can damage the fibers and protective finish.

When furniture is not in use for extended periods, cover or store it in a dry, ventilated area to extend its life. With simple care, Sunproof upholstery will retain its vibrant color, soft texture, and high-performance qualities for many seasons outdoors.

Materials Description

Sunproof is a high-performance fabric engineered to thrive in outdoor environments. Woven from 100% Olefin, it is exceptionally resistant to fading, even after prolonged exposure to intense sunlight. Its water-repellent finish allows rain and spills to bead and roll off with ease, ensuring long-lasting beauty with minimal care.

Enhanced with advanced ultraviolet blocking agents, Sunproof protects its fibers from the damaging effects of UV radiation. Certified under the UV Standard 801 with a Protection Factor of 80, it blocks more than 97% of harmful rays, offering both durability and peace of mind. Combining strength, comfort, and refined performance, Sunproof Olefin is a trusted choice for enduring outdoor living.