

101

C O P E N H A G E N



Toe Chair, Flat - Taupe

Designed by

Kristian Sofus Hansen &
Tommy Hyldahl

Toe Chair, Flat - Taupe

Product Description

A bold homage to 70s space age design, the Toe Lounge Chair Flat invites you to relax in a sculptural embrace where comfort meets creativity. With its smooth, flowing form, it captures the era's daring vision of the future a future where furniture feels as free and expressive as the people who live with it.

Characterized by a sculptural approach to furniture design, the Toe Chair Flat emphasises a certain smooth and softness cocooning around the body. The open chair form adds a free and casual seating experience, easy to move around in the chair and have conversations.

An expertly balanced blend of premium foams provide superior seating comfort, making it a truly inviting piece for any lounge or living room.

Designer Description

Tommy Hyldahl and Kristian Sofus Hansen intertwine their distinct sensibilities to create designs where storytelling, materiality, and timeless form meet in quiet harmony.

With a background in fashion, Tommy brings an intuitive eye for trends, colors, and textures. His process is one of layering histories, blending details and references from past design periods and reimagining them into something fresh and contemporary. Each collection unfolds as a narrative, evolving from concept to creation, with every element contributing to a greater story.

Kristian, who has lived and studied in Japan, seeks to unite Japanese aesthetics with Danish design, creating a characteristic twist on simplicity itself. His work is defined by the search for subtle, original details that elevate each piece with a unique signature. Drawing inspiration from art and sculpture, his creative process unfolds in new and exciting ways, always striving to craft designs that are both functional and timeless.

Together, they craft design that transcends time, poetic yet practical, expressive yet enduring.



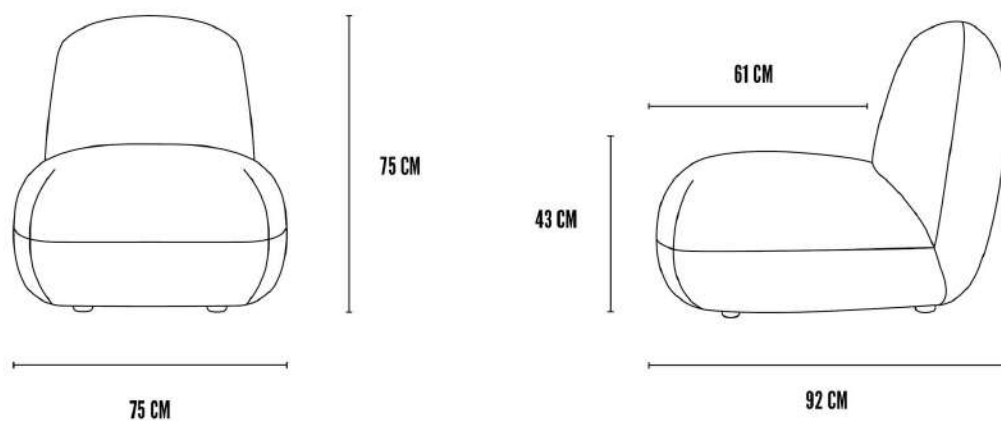
Toe Chair, Flat - Taupe

Main

SKU	241002	Product Family	Toe
Product name	Toe Chair, Flat - Taupe	Color	Taupe (Pallazo 163)
Product Type	Lounge Chair	Size	Regular
		Unit	Piece

Logistics

EAN number	4251501409731	Package - CBM	0.573
Package height in cm	79.00	Package - Weight KG	28.000
Package width in cm	78.00	Tariff Code No	9401610000
Package length in cm	93.00	Country of origin	China
Suitable for Courier	No	Quantity of Inner Boxes	1



Toe Chair, Flat - Taupe

Product

Materials	Sunproof Olefin	Net weight in kg	23
Item Height in cm	79.00	Space Suitability	Indoor
Item width in cm	92.00	Strength Test	No
Item length in cm	75.00	FSC Wood	No

Upholstery

Fabric	Pallazo 163	Cigarette Test - CAL-117	No
Martindale	18.000	Cigarette Test - EN 1021-1	Yes
Colour Fastness to Light	UV Standard 801	Cigarette Test - BS5852 Part 1	No
Pilling	5.000 Rubs	Match Flame Test - EN 1021-2	No
Oeko Tex	Yes	Ignition Source 5 (Crib 5) - BS 5852 Part 2	No
Fire Test Foam	CAL-117	NF P92-507 - Class M1	No

Toe Chair, Flat - Taupe

Family Description Text

The Toe Series is more than a collection of lounge furniture. It is an ode to the bold optimism of the 1970s space age, reimagined for contemporary living. Here furniture becomes sculpture and comfort becomes a form of architecture. Thick, fluted upholstery flows across seamless forms like a soft rhythm, shaping generous volumes that feel both expressive and serene.

Defined by rounded geometries and sculptural proportions, the series shares a unified language of tactile softness and effortless comfort. Seats and backrests are shaped from layers of premium foam, creating flowing contours that gently embrace the body while maintaining a strong architectural presence.

Most pieces express the purity of the upholstered form, including the Toe Ottoman, Toe Lounge, Toe Armchair and Toe Flat. The Toe Armrest Chair and Toe Sofa Armrest introduce a contrasting architectural element through solid oak armrests for indoor settings or teak for outdoor environments. Formed from thick planks and shaped like subtle wings, they provide natural support for the hand while also serving as a practical resting surface for everyday essentials.

Together the Toe Series transforms interiors into spaces of imagination where the spirit of futurism meets contemporary craftsmanship. More than seating, it is comfort shaped into sculpture and design distilled into poetry.

Color Description

Taupe is a classic neutral that bridges brown and grey. Earthy and muted, it carries a balance that feels softer than pure grey yet less warm than beige. Depending on the light, taupe can lean warmer with hints of brown or cooler with subtle grey notes. Timeless and versatile, it brings a grounded elegance that adapts effortlessly to both modern and traditional palettes.

Maintenance Guide Description

Bouclé's looped yarns give it its charm but also require mindful care. Vacuum the upholstery regularly with a soft brush attachment to remove dust and prevent dirt from settling between the loops. To protect the fabric, avoid contact with sharp objects or rough clothing that may snag the fibers.

In the event of spills, gently blot with a clean, dry cloth never rub, as this may distort the loops or spread the stain. For light soiling, use a mild upholstery cleaner suitable for synthetic fabrics and always test on a hidden area first. Professional upholstery cleaning is recommended for deeper maintenance.

Keep bouclé furniture away from direct sunlight to prevent fading, and avoid prolonged exposure to moisture. With simple care, bouclé will maintain its softness, texture, and inviting comfort for years to come.

Materials Description

Sunproof is a high-performance fabric engineered to thrive in outdoor environments. Woven from 100% Olefin, it is exceptionally resistant to fading, even after prolonged exposure to intense sunlight. Its water-repellent finish allows rain and spills to bead and roll off with ease, ensuring long-lasting beauty with minimal care.

Enhanced with advanced ultraviolet blocking agents, Sunproof protects its fibers from the damaging effects of UV radiation. Certified under the UV Standard 801 with a Protection Factor of 80, it blocks more than 97% of harmful rays, offering both durability and peace of mind. Combining strength, comfort, and refined performance, Sunproof Olefin is a trusted choice for enduring outdoor living.