

101

C O P E N H A G E N



Toe Chair, Flat - Nubuck

Designed by

Kristian Sofus Hansen &
Tommy Hyldahl

Toe Chair, Flat - Nubuck

Product Description

A tribute to 70s futuristic design and space age, the Toe Lounge Chair Flat is a lounge chair with expressive aesthetics and luxurious seating comfort.

Characterized by a sculptural approach to furniture design, the Toe Chair Flat emphasises a certain smooth and softness cocooning around the body. The open chair form adds a free and casual seating experience, easy to move around in the chair and have conversations. The unique combination of foams ensures an overall high seating comfort. Upholstered in exquisite Italian Nubuck Leather, the lounge chair offers a harmonious blend of innovative aesthetics and unmatched comfort.

Crafted with meticulous attention to details, the Nubuck Leather upholstery exudes a sense of elegance with its velvety texture and supple feel, inviting users to indulge in luxurious comfort.

Whether placed in a contemporary living room, a chic lounge area, or a stylish office space, the Nubuck Leather Toe Chair Flat makes a bold statement, embracing any environment with an atmosphere of refined elegance. Its sleek silhouette and sumptuous upholstery create a focal point that effortlessly commands attention, while its ergonomic design ensures hours of comfortable seating.

Designer Description

Tommy Hyldahl and Kristian Sofus Hansen intertwine their distinct sensibilities to create designs where storytelling, materiality, and timeless form meet in quiet harmony.

With a background in fashion, Tommy brings an intuitive eye for trends, colors, and textures. His process is one of layering histories, blending details and references from past design periods and reimagining them into something fresh and contemporary. Each collection unfolds as a narrative, evolving from concept to creation, with every element contributing to a greater story.

Kristian, who has lived and studied in Japan, seeks to unite Japanese aesthetics with Danish design, creating a characteristic twist on simplicity itself. His work is defined by the search for subtle, original details that elevate each piece with a unique signature. Drawing inspiration from art and sculpture, his creative process unfolds in new and exciting ways, always striving to craft designs that are both functional and timeless.

Together, they craft design that transcends time, poetic yet practical, expressive yet enduring.



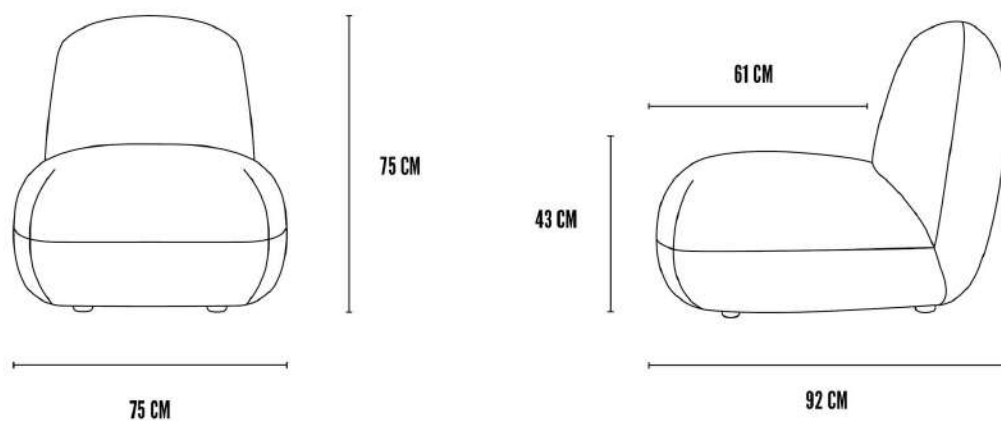
Toe Chair, Flat - Nubuck

Main

SKU	242001	Product Family	Toe
Product name	Toe Chair, Flat - Nubuck	Color	Nude - Nubuck
Product Type	Lounge Chair	Size	Regular
		Unit	Piece

Logistics

EAN number	4251501410041	Package - CBM	0.573
Package height in cm	79.00	Package - Weight KG	28.000
Package width in cm	93.00	Tariff Code No	9401610000
Package length in cm	78.00	Country of origin	China
Suitable for Courier	No	Quantity of Inner Boxes	1



Toe Chair, Flat - Nubuck

Product

Materials	Nubuck Leather	Net weight in kg	23
Item Height in cm	75.00	Space Suitability	Indoor
Item width in cm	92.00	Strength Test	No
Item length in cm	75.00	FSC Wood	No

Upholstery

Fabric	Nubuck Leather (NU30)	Cigarette Test - CAL-117	No
Martindale	50.000	Cigarette Test - EN 1021-1	Yes
Colour Fastness to Light	3	Cigarette Test - BS5852 Part 1	No
Pilling	5.000 Rubs	Match Flame Test - EN 1021-2	No
Oeko Tex	N/A	Ignition Source 5 (Crib 5) - BS 5852 Part 2	No
Fire Test Foam	CAL-117	NF P92-507 - Class M1	No

Toe Chair, Flat - Nubuck

Family Description Text

The Toe Series is more than a collection of lounge furniture. It is an ode to the bold optimism of the 1970s space age, reimagined for contemporary living. Here furniture becomes sculpture and comfort becomes a form of architecture. Thick, fluted upholstery flows across seamless forms like a soft rhythm, shaping generous volumes that feel both expressive and serene.

Defined by rounded geometries and sculptural proportions, the series shares a unified language of tactile softness and effortless comfort. Seats and backrests are shaped from layers of premium foam, creating flowing contours that gently embrace the body while maintaining a strong architectural presence.

Most pieces express the purity of the upholstered form, including the Toe Ottoman, Toe Lounge, Toe Armchair and Toe Flat. The Toe Armrest Chair and Toe Sofa Armrest introduce a contrasting architectural element through solid oak armrests for indoor settings or teak for outdoor environments. Formed from thick planks and shaped like subtle wings, they provide natural support for the hand while also serving as a practical resting surface for everyday essentials.

Together the Toe Series transforms interiors into spaces of imagination where the spirit of futurism meets contemporary craftsmanship. More than seating, it is comfort shaped into sculpture and design distilled into poetry.

Color Description

Nude is the true natural beige tone of the hide, presented in its pure and authentic state. With its soft, velvety nubuck surface, this shade embodies raw simplicity and timeless elegance. Subtle and versatile, it provides a balanced foundation that pairs effortlessly with both warm and cool palettes.

Maintenance Guide Description

Nubuck is a natural leather with a velvety, matte surface that evolves gracefully with time. To maintain its softness and depth, brush the surface regularly with a soft nubuck brush to lift the nap and prevent dust or dirt from settling. Avoid contact with water, oils, or abrasive objects, as Nubuck is sensitive to staining and scratching.

In the event of spills, blot immediately with a clean, dry cloth--never rub, as this may push liquid deeper into the hide. For light marks, use a specialized nubuck cleaning block or brush; for more persistent stains, professional leather care is recommended.

To preserve its character, keep Nubuck upholstery away from direct sunlight and heat sources, which can cause fading or drying. With mindful care, Nubuck develops a rich, personal patina that enhances its natural elegance and individuality over the years.

Materials Description

Nubuck is leather at its most tactile, lightly sanded to reveal a velvety surface with a soft, matte finish. Its suede-like texture invites touch, while natural tonal variations and markings add depth and individuality. Sensitive to wear and environment, Nubuck evolves beautifully with time, developing a rich patina that reflects the intimacy of use and becomes uniquely personal.