

101

C O P E N H A G E N



Foku Chair - Deep Taupe (A2635)

Designed by

Kristian Sofus Hansen &
Tommy Hyldahl

Foku Chair - Deep Taupe (A2635)

Product Description

Inspired by the tranquil artistry of Japanese Zen gardens, the Foku Lounge Chair brings organic harmony to the collection. Its fluted seat echoes the raked sand patterns of Zen gardens, balancing geometric precision with natural inspiration. With its plush foam layers and voluminous presence, the Foku Chair is as comfortable as it is visually compelling.

The fabric on the lounge chair is a rich deep Taupe in soft and durable Bouclé, complementing the compelling design with warmth and softness.

Modular in function, multiple Foku Chairs can be seamlessly joined to create a versatile sofa lounge. Exceptional as a standalone statement, in a reading nook or as part of a modular sofa in spacious living areas. The Foku Lounge Chair brings sculptural comfort to any setting.

Each Foku Chair includes two metal brackets, which can be mounted underneath the legs with a small screw.

Designer Description

Tommy Hyldahl and Kristian Sofus Hansen intertwine their distinct sensibilities to create designs where storytelling, materiality, and timeless form meet in quiet harmony.

With a background in fashion, Tommy brings an intuitive eye for trends, colors, and textures. His process is one of layering histories, blending details and references from past design periods and reimagining them into something fresh and contemporary. Each collection unfolds as a narrative, evolving from concept to creation, with every element contributing to a greater story.

Kristian, who has lived and studied in Japan, seeks to unite Japanese aesthetics with Danish design, creating a characteristic twist on simplicity itself. His work is defined by the search for subtle, original details that elevate each piece with a unique signature. Drawing inspiration from art and sculpture, his creative process unfolds in new and exciting ways, always striving to craft designs that are both functional and timeless.

Together, they craft design that transcends time, poetic yet practical, expressive yet enduring.



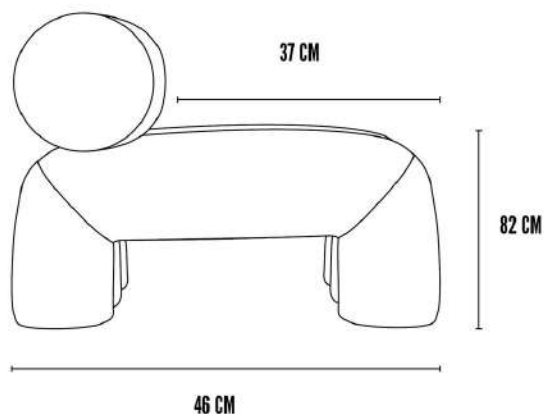
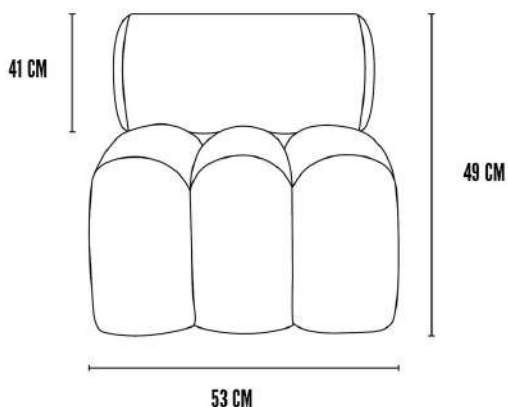
Foku Chair - Deep Taupe (A2635)

Main

SKU	243015	Product Family	Foku
Product name	Foku Chair - Deep Taupe (A2635)	Color	Deep Taupe (A2635)
Product Type	Lounge Chair	Size	Regular
		Unit	Piece

Logistics

EAN number	4251501411468	Package - CBM	0.479
Package height in cm	73.00	Package - Weight KG	29.500
Package width in cm	67.00	Tariff Code No	9401610000
Package length in cm	98.00	Country of origin	China
Suitable for Courier	No	Quantity of Inner Boxes	1



Foku Chair - Deep Taupe (A2635)

Product

Materials	Bouclé	Net weight in kg	26
Item Height in cm	70.00	Space Suitability	Indoor
Item width in cm	65.00	Strength Test	No
Item length in cm	92.00	FSC Wood	No

Upholstery

Fabric	Deep Taupe (A2635)	Cigarette Test - CAL-117
Martindale	50.000	Cigarette Test - EN 1021-1
Colour Fastness to Light	4	Cigarette Test - BS5852 Part 1
Pilling	5.000 Rubs	Match Flame Test - EN 1021-2
Oeko Tex	N/A	Ignition Source 5 (Crib 5) - BS 5852 Part 2
Fire Test Foam	CAL-117	NF P92-507 - Class M1

Foku Chair - Deep Taupe (A2635)

Family Description Text

Whispering the serenity of Japanese Zen gardens, the Foku Collection embodies a quiet dialogue between nature and design. Each piece, with its fluted forms reminiscent of raked sand patterns, carries a meditative rhythm where geometry and organic beauty find perfect harmony. Wrapped in plush layers and generous in presence, the collection invites both body and spirit to sink into comfort, offering designs that are as grounding as they are uplifting.

At the heart of its versatility lies its modular spirit. A single lounge chair stands with sculptural poise, yet when joined together, the pieces flow into an expansive couch that transforms with grace to suit the occasion. Whether creating a solitary refuge or a gathering space for many, the Foku Collection adapts effortlessly, becoming not only furniture, but a living landscape that reflects serenity, balance, and connection.

Color Description

A dark taupe base interwoven with lighter taupe highlights in the boucle weave. The texture adds depth and contrast, giving the fabric an earthy, sophisticated presence.

Foku Chair - Deep Taupe (A2635)

Maintenance Guide Description

Bouclé's looped yarns give it its charm but also require mindful care. Vacuum the upholstery regularly with a soft brush attachment to remove dust and prevent dirt from settling between the loops. To protect the fabric, avoid contact with sharp objects or rough clothing that may snag the fibers.

In the event of spills, gently blot with a clean, dry cloth never rub, as this may distort the loops or spread the stain. For light soiling, use a mild upholstery cleaner suitable for synthetic fabrics and always test on a hidden area first. Professional upholstery cleaning is recommended for deeper maintenance.

Keep bouclé furniture away from direct sunlight to prevent fading, and avoid prolonged exposure to moisture. With simple care, bouclé will maintain its softness, texture, and inviting comfort for years to come.

Materials Description

Bouclé is a distinctive fabric woven from looped yarns that create its signature soft, tactile texture. Crafted from 100% PES (polyester), it combines luxurious comfort with excellent durability, making it perfectly suited for upholstered furniture. The nubby surface adds visual depth and a cozy, inviting feel, ideal for living rooms, bedrooms, or any space where warmth and style meet. With its unique blend of softness and resilience, bouclé remains a timeless choice designed to endure everyday use.