

# 101

C O P E N H A G E N



## **Maru Pendant, Ø60 - Chrome**

Designed by

Kristian Sofus Hansen &  
Tommy Hyldahl

# Maru Pendant, Ø60 - Chrome

---

## Product Description

Named after the Japanese word for circle or circumference, the Maru pendant is a striking geometric design inspired by minimalism art.

Maru showcases two meticulously crafted aluminum circles, each installed with a warm LED light that illuminates the inner part of the circular form. The simplicity of the geometric design not only adds a modern touch but also enhances the versatility of these pendants. A moveable joint on each side of the circles enables the inner circle to turn around inside the other, adding a layer of flexibility to the pendant. Ideal for playful arrangements, several pendants can be grouped together to create a dynamic light display, or they can hang as sculptural pendant by itself.

The striking mirror chrome finish, adapts to its surroundings with a certain fluidity. The Maru pendant harmoniously blends geometric simplicity with a warm ambience. Whether used individually or in a group, these pendants invite creativity and offer a timeless elegance that complements any setting.

Place above dining tables, kitchen islands, or in double-height spaces where its sculptural form can be appreciated from multiple angles. Hang a single pendant as a statement light over a reading nook or side table, or cluster several together in staggered heights and various sizes for a dramatic installation in lobbies, staircases, or living rooms.

## Designer Description

Tommy Hyldahl and Kristian Sofus Hansen intertwine their distinct sensibilities to create designs where storytelling, materiality, and timeless form meet in quiet harmony.

With a background in fashion, Tommy brings an intuitive eye for trends, colors, and textures. His process is one of layering histories, blending details and references from past design periods and reimagining them into something fresh and contemporary. Each collection unfolds as a narrative, evolving from concept to creation, with every element contributing to a greater story.

Kristian, who has lived and studied in Japan, seeks to unite Japanese aesthetics with Danish design, creating a characteristic twist on simplicity itself. His work is defined by the search for subtle, original details that elevate each piece with a unique signature. Drawing inspiration from art and sculpture, his creative process unfolds in new and exciting ways, always striving to craft designs that are both functional and timeless.

Together, they craft design that transcends time, poetic yet practical, expressive yet enduring.



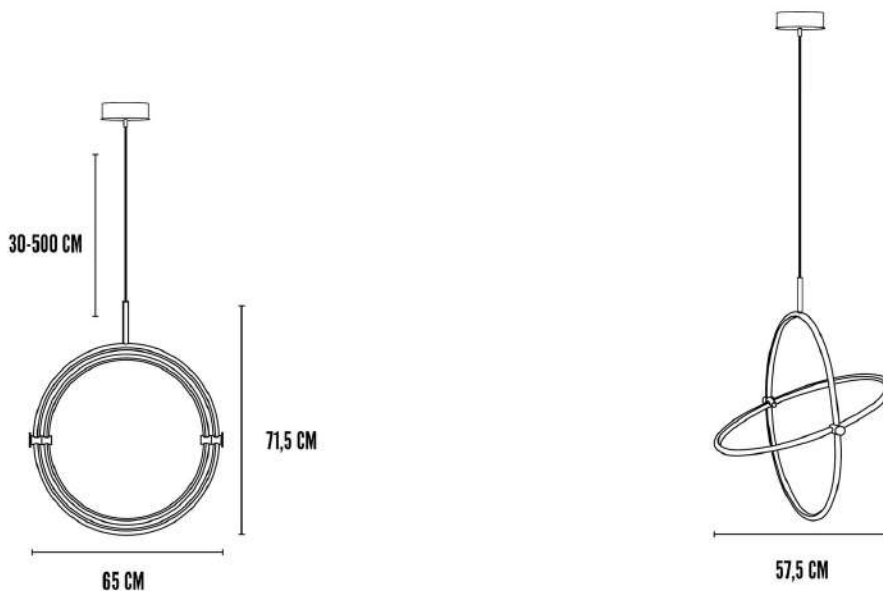
# Maru Pendant, Ø60 - Chrome

## Main

SKU	253002	Product Family	Maru
Product name	Maru Pendant, Å~60 - Chrome	Color	Chrome
Product Type	Pendant	Size	Ø60
		Unit	Piece

## Logistics

EAN number	4251501413684	Package - CBM	0.045
Package height in cm	10.00	Package - Weight KG	4.200
Package width in cm	67.00	Tariff Code No	9405199090
Package length in cm	67.00	Country of origin	China
		Quantity of Inner Boxes	1



# Maru Pendant, Ø60 - Chrome

---

## Product

Materials	Chrome (Cr III) Plated Aluminium	Light Source	SMD LED
Item Height in cm	71.5	Lighting Certification	CE-Certificate
Item width in cm	57.5	Cable Length	5 m
Item length in cm	65	Max Watt (W)	30
Net weight in kg	3.3	Socket	Inbuilt LED
Ceiling Cup Size	H4.5 / W18 Cm	IP Rating	20

## Led

Color Temperature	2400	Lumen (lm)	1240
Energy Class	G	Illuminant Lifetime (h)	25000
EPREL No.	2333049	Driver Type	Built-in(isolated)

## Maru Pendant, Ø60 - Chrome

---

### Family Description Text

Maru, named after the Japanese word for circle, is a meditation on form and light. Inspired by the purity of minimalist art, it captures the endless elegance of the circle, an eternal shape without beginning or end.

Two finely crafted aluminium rings define the design, their inner edges glowing with a warm halo of LED light. Within this quiet geometry, a subtle joint allows the inner circle to turn inside the outer one, giving Maru a sense of movement, like orbits shifting in space.

Singular, it hangs as a luminous sculpture, serene and iconic. In multiples, it becomes a constellation, a playful choreography of circles in dialogue with one another.

Balancing geometric clarity with a gentle radiance, the Maru Collection transforms light into poetry. It is timeless, versatile, and endlessly expressive, an ode to the beauty of simplicity.

### Color Description

Chrome is a sleek, mirror-like silver with liquid clarity, polished to brilliance. It reflects its surroundings with sharp precision, evoking the clarity of liquid metal. Luminous and sophisticated, this finish embodies modernist purity and serves as both a striking highlight and a refined counterbalance to textured tones.

## Maru Pendant, Ø60 - Chrome

---

### Maintenance Guide Description

Our lights finished in Chrome (Cr III) with acrylic tubes are designed to combine mirrored brilliance with a soft, luminous presence. To preserve their clarity and radiance, regular and gentle care is essential.

The Chrome (Cr III) surface should be wiped with a soft, dry microfiber cloth to remove dust and fingerprints. For deeper cleaning, use a slightly damp cloth with mild, pH-neutral soap, then dry immediately with a clean, lint-free cloth. Avoid abrasive pads, ammonia-based cleaners, acidic solutions, or strong detergents, as these can scratch the chrome or dull its mirrored finish.

The acrylic tubes require equally delicate care. Dust regularly with a soft microfiber cloth, and when necessary, clean with warm water and a small amount of mild soap. Always dry with a lint-free cloth to maintain their luminous clarity. Do not use alcohol, solvents, or abrasive cleaners, as they may cause surface damage or clouding.

Before any cleaning, always switch off and unplug the light. Avoid exposing both finishes to high humidity or direct water contact. With simple, consistent care, the Chrome (Cr III) will retain its liquid-metal brilliance, while the acrylic tubes will continue to glow with soft, inviting light ensuring the lamp remains refined and timeless for years to come.

### Materials Description

The chrome finish combines technical precision with modernist clarity. Using Decorative Trivalent Chrome Plating (Cr III) on aluminium, the surface is polished to a mirrored brilliance that reflects its surroundings with sharp precision. Sleek and striking, it serves as a counterbalance to textured finishes, capturing light and form like liquid metal while embodying the clean lines of contemporary design.