

101

C O P E N H A G E N



Maru Pendant, Ø60 - Brass

Designed by

Kristian Sofus Hansen &
Tommy Hyldahl

Maru Pendant, Ø60 - Brass

Product Description

Named after the Japanese word for circle or circumference, the Maru pendant is a striking geometric design inspired by minimalism art.

Maru showcases two meticulously crafted aluminum circles, each installed with a warm LED light that illuminates the inner part of the circular form. The simplicity of the geometric design not only adds a modern touch but also enhances the versatility of these pendants. A moveable joint on each side of the circles enables the inner circle to turn around inside the other, adding a layer of flexibility to the pendant. Ideal for playful arrangements, several pendants can be grouped together to create a dynamic light display, or they can hang as sculptural pendant by itself.

The hand-brushed brass finish brings warmth, character, and timeless elegance to any space. The Maru pendant harmoniously blends geometric simplicity with a warm ambience. Whether used individually or in a group, these pendants invite creativity and offer a timeless elegance that complements any setting.

Place above dining tables, kitchen islands, or in double-height spaces where its sculptural form can be appreciated from multiple angles. Hang a single pendant as a statement light over a reading nook or side table, or cluster several together in staggered heights and various sizes for a dramatic installation in lobbies, staircases, or living rooms.

Designer Description

Tommy Hyldahl and Kristian Sofus Hansen intertwine their distinct sensibilities to create designs where storytelling, materiality, and timeless form meet in quiet harmony.

With a background in fashion, Tommy brings an intuitive eye for trends, colors, and textures. His process is one of layering histories, blending details and references from past design periods and reimagining them into something fresh and contemporary. Each collection unfolds as a narrative, evolving from concept to creation, with every element contributing to a greater story.

Kristian, who has lived and studied in Japan, seeks to unite Japanese aesthetics with Danish design, creating a characteristic twist on simplicity itself. His work is defined by the search for subtle, original details that elevate each piece with a unique signature. Drawing inspiration from art and sculpture, his creative process unfolds in new and exciting ways, always striving to craft designs that are both functional and timeless.

Together, they craft design that transcends time, poetic yet practical, expressive yet enduring.



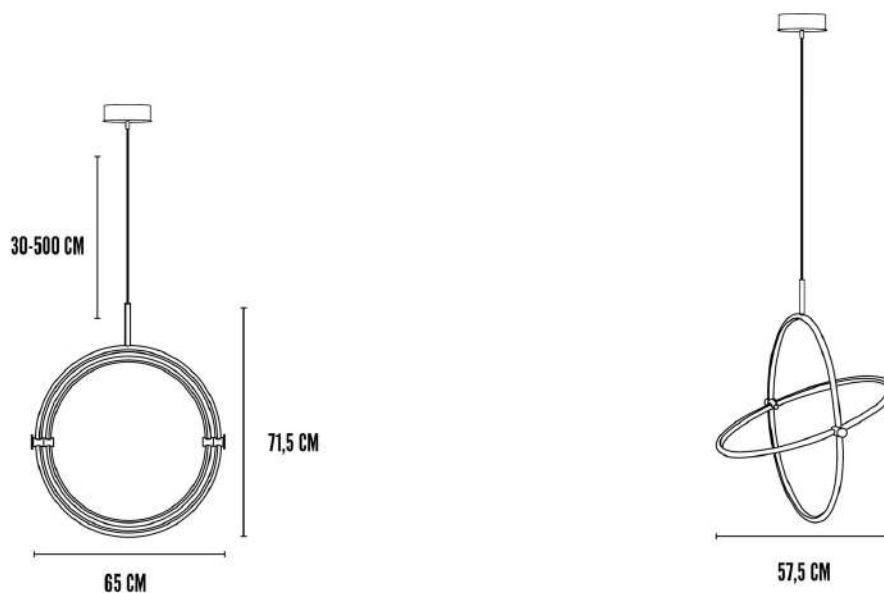
Maru Pendant, Ø60 - Brass

Main

SKU	253003	Product Family	Maru
Product name	Maru Pendant, Å~60 - Brass	Color	Brass
Product Type	Pendant	Size	Ø60
		Unit	Piece

Logistics

EAN number	4251501413691	Package - CBM	0.045
Package height in cm	10.00	Package - Weight KG	4.200
Package width in cm	67.00	Tariff Code No	9405199090
Package length in cm	67.00	Country of origin	China
		Quantity of Inner Boxes	1



Maru Pendant, Ø60 - Brass

Product

Materials	Hand-brushed Aluminium & Acrylic	Light Source	SMD LED
Item Height in cm	71.5	Lighting Certification	CE-Certificate
Item width in cm	57.5	Cable Length	5 m
Item length in cm	65	Max Watt (W)	30
Net weight in kg	3.3	Socket	Inbuilt LED
Ceiling Cup Size	H4.5 / W18 Cm	IP Rating	20

Led

Color Temperature	2400	Lumen (lm)	1240
Energy Class	G	Illuminant Lifetime (h)	25000
EPREL No.	2333049	Driver Type	Built-in(isolated)

Maru Pendant, Ø60 - Brass

Family Description Text

Maru, named after the Japanese word for circle, is a meditation on form and light. Inspired by the purity of minimalist art, it captures the endless elegance of the circle, an eternal shape without beginning or end.

Two finely crafted aluminium rings define the design, their inner edges glowing with a warm halo of LED light. Within this quiet geometry, a subtle joint allows the inner circle to turn inside the outer one, giving Maru a sense of movement, like orbits shifting in space.

Singular, it hangs as a luminous sculpture, serene and iconic. In multiples, it becomes a constellation, a playful choreography of circles in dialogue with one another.

Balancing geometric clarity with a gentle radiance, the Maru Collection transforms light into poetry. It is timeless, versatile, and endlessly expressive, an ode to the beauty of simplicity.

Color Description

Hand Brushed Brass has a golden metallic tone that resembles gold but with a softer, more muted character. Fine brushstrokes create a silky matte surface, reducing shine and adding depth and movement. The result is a warm, elegant finish that feels both timeless and contemporary.

Maintenance Guide Description

Our lights crafted in hand-brushed plated aluminium with acrylic tubes combine tactile warmth with luminous clarity. To preserve their beauty and ensure lasting quality, regular and gentle care is essential.

The hand-brushed plated aluminium should be cleaned with a soft, dry microfiber cloth to remove dust. For deeper cleaning, use a slightly damp cloth with mild, pH-neutral soap, wiping gently along the direction of the brushing to maintain the surface's subtle texture. Avoid abrasive pads, acidic solutions, or metal polishes, as these may damage the plated finish or alter its refined appearance.

The acrylic tubes require equally careful maintenance. Dust regularly with a soft microfiber cloth, and if necessary, clean with warm water and a small amount of mild soap. Dry immediately with a clean, lint-free cloth to preserve their luminous clarity. Do not use alcohol, solvents, or abrasive cleaners, as these can cause scratches or clouding.

Always switch off and unplug the light before cleaning, and avoid exposing the finishes to excessive humidity or direct water contact. With simple, consistent care, the hand-brushed plated aluminium will retain its crafted elegance, and the acrylic tubes will continue to radiate their soft, glowing presence ensuring your lamp remains timeless for years to come.

Materials Description

Our lights combine the tactile refinement of hand-brushed plated aluminium with the luminous clarity of acrylic tubes. The aluminium is plated in carefully developed finishes, then brushed by hand to create subtle variations in tone and texture details that make each piece unique. Its surface carries both resilience and warmth, a crafted metal elevated by human touch.

In dialogue with this, the acrylic tubes introduce a sense of lightness and radiance. Their crystalline transparency captures and diffuses light, softening the solidity of metal with a glowing clarity. Together, the two materials create a balance of strength and luminosity, weight and air, precision and atmosphere.

The result is a composition where crafted detail meets ethereal light lighting that is as much sculpture as function, designed to remain timeless in both expression and presence.