

101

C O P E N H A G E N



Hiro Dining Chair, Black Frame - Sand (8047-2)

Designed by

Kristian Sofus Hansen &
Tommy Hyldahl

Hiro Dining Chair, Black Frame - Sand (8047-2)

Product Description

The Hiro Dining Chair named after the Japanese word for "generous," embodies a sense of understated elegance and inviting comfort.

The sculptural, three-legged design is inspired by minimalist art, transforming the chair into a striking spatial object. A cylindrical backrest doubles as a discreet handle, encouraging fluid movement and adaptability in everyday settings. A matte black powder-coated steel frame with textured linen upholstery offers a grounded, tactile feel. The composition celebrates the chair's pure silhouette and harmonious proportions - where clarity of design meets the warmth of craftsmanship in a single, generous gesture.

Perfect around a dining table, at the head of a meeting space, or as a standalone accent in an entryway, the Hiro Dining Chair offers both sculptural presence and exceptional comfort, enriching its surroundings with a quiet sense of luxury.

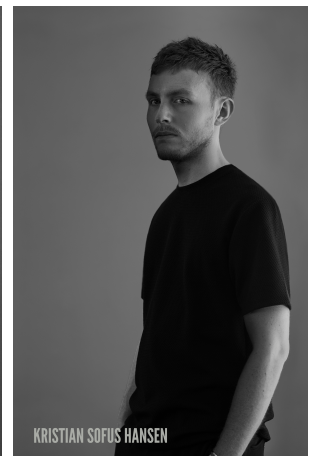
Designer Description

Tommy Hyldahl and Kristian Sofus Hansen intertwine their distinct sensibilities to create designs where storytelling, materiality, and timeless form meet in quiet harmony.

With a background in fashion, Tommy brings an intuitive eye for trends, colors, and textures. His process is one of layering histories, blending details and references from past design periods and reimagining them into something fresh and contemporary. Each collection unfolds as a narrative, evolving from concept to creation, with every element contributing to a greater story.

Kristian, who has lived and studied in Japan, seeks to unite Japanese aesthetics with Danish design, creating a characteristic twist on simplicity itself. His work is defined by the search for subtle, original details that elevate each piece with a unique signature. Drawing inspiration from art and sculpture, his creative process unfolds in new and exciting ways, always striving to craft designs that are both functional and timeless.

Together, they craft design that transcends time, poetic yet practical, expressive yet enduring.



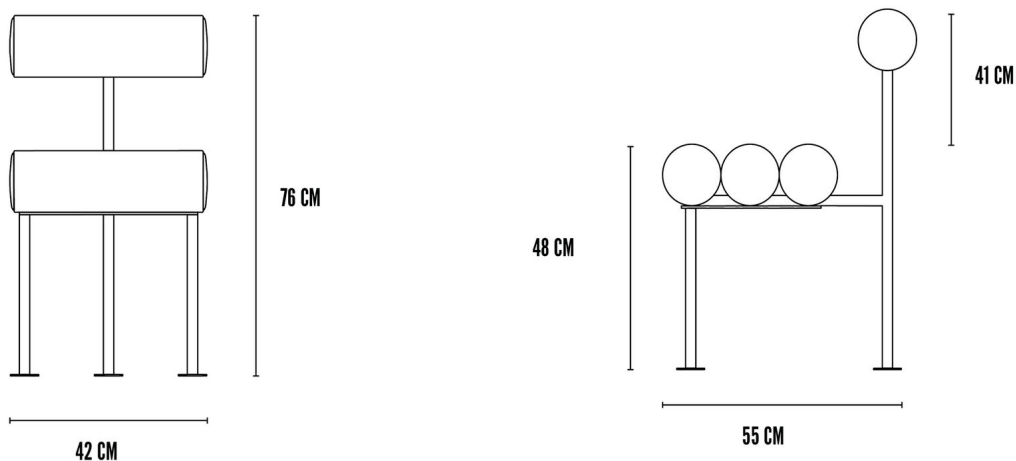
Hiro Dining Chair, Black Frame - Sand (8047-2)

Main

SKU	253050	Product Family	Hiro
Product name	Hiro Dining Chair, Black Frame - Sand (8047-2)	Color	Black Frame & Sand Linen (8047-2)
Product Type	Dining Chair	Size	Regular
		Unit	Piece

Logistics

EAN number	4251501414070	Package - CBM	0.206
Package height in cm	79.00	Package - Weight KG	13.300
Package width in cm	58.00	Tariff Code No	9401719000
Package length in cm	45.00	Country of origin	China
Suitable for Courier	Yes	Quantity of Inner Boxes	1



Hiro Dining Chair, Black Frame - Sand (8047-2)

Product

Materials	Powder-Coated Stainless Steel & Linen	Net weight in kg	10.4
Item Height in cm	76.00	Space Suitability	Indoor
Item width in cm	55.00	Strength Test	No
Item length in cm	42.00	FSC Wood	N/A

Upholstery

Fabric	Linen 8047-2	Cigarette Test - CAL-117	No
Martindale	18.000	Cigarette Test - EN 1021-1	No
Colour Fastness to Light	N/A	Cigarette Test - BS5852 Part 1	No
Pilling	N/A	Match Flame Test - EN 1021-2	No
Oeko Tex	N/A	Ignition Source 5 (Crib 5) - BS 5852 Part 2	No
Fire Test Foam	CAL-117	NF P92-507 - Class M1	No

Hiro Dining Chair, Black Frame - Sand (8047-2)

Family Description Text

The Hiro Collection is named after the Japanese word for "generous," and that spirit of generosity is expressed in every detail. Inspired by minimalist art and the quiet elegance of Japanese design, it transforms pure geometry into something sculptural, tactile, and welcoming.

Repeating cylindrical shapes create a shared rhythm across the pieces. The bench sits low and grounded, supported by two legs, each formed from four upholstered cylinders gathered together like soft architectural columns. The dining chair contrasts this softness with three cylindrical metal legs, giving it a poised and deliberate stance, while rounded upholstered volumes offer comfort with restraint.

Together, the pieces shape a quiet dialogue between structure and softness, weight and lightness. The Hiro Collection does not seek attention. It settles into a space, bringing warmth, stillness, and a sense of generosity through thoughtful presence.

Color Description

This pairing balances the depth of a pure black frame with the natural softness of Sand Linen. The linen's raw, sandy beige tone adds warmth and texture, while the black frame grounds the composition with sharp contrast. Together, they create a timeless interplay of light and dark sophisticated, tactile, and versatile.

Hiro Dining Chair, Black Frame - Sand (8047-2)

Maintenance Guide Description

This piece brings together the durability of powder-coated stainless steel with the natural beauty of linen. Each material should be cared for thoughtfully to preserve its refined character.

For powder-coated stainless steel, wipe surfaces regularly with a soft, damp cloth and mild soap, then dry thoroughly. Avoid abrasive pads, harsh chemicals, or solvents that may damage the coating. To protect the finish, use felt pads or coasters under objects, and clean spills promptly to prevent marks or stains.

For linen upholstery, vacuum gently with a soft brush attachment to remove dust and prevent dirt from settling into the fibers. Blot spills immediately with a clean, dry cloth never rub, as this may push liquid deeper into the weave. For light stains, use a mild upholstery cleaner suitable for natural fabrics, testing it on a hidden area first. Professional upholstery cleaning is recommended for deeper care. Protect linen from direct sunlight to avoid fading, and from prolonged moisture or humidity to maintain its natural texture.

With regular care, the harmony of powder coated stainless steel and linen will endure beautifully, balancing resilience with softness for years to come.

Materials Description

This pairing unites the strength of powder-coated stainless steel with the natural softness of linen. The steel, finished with a durable powder coating, offers a smooth, refined surface resistant to wear, corrosion, and fading, ensuring lasting performance with a contemporary expression. Balanced against this resilience, linen introduces a tactile warmth and organic character, celebrated for its subtle texture and timeless elegance.

Together, these materials create a dialogue of durability and comfort precise and enduring, soft and natural resulting in furniture that is both functional and inviting, crafted to age gracefully in daily life.