

101

C O P E N H A G E N



Hiro Dining Chair, Stainless Steel - Nubuck

Designed by

Kristian Sofus Hansen &
Tommy Hyldahl

Hiro Dining Chair, Stainless Steel - Nubuck

Product Description

The Hiro Dining Chair named after the Japanese word for "generous," embodies a sense of understated elegance and inviting comfort.

The sculptural, three-legged design is inspired by minimalist art, transforming the chair into a striking spatial object. A cylindrical backrest doubles as a discreet handle, encouraging fluid movement and adaptability in everyday settings. A polished stainless-steel frame paired with nude Italian Nubuck leather evokes softness and refinement. The composition celebrates the chair's pure silhouette and harmonious proportions - where clarity of design meets the warmth of craftsmanship in a single, generous gesture.

Perfect around a dining table, at the head of a meeting space, or as a standalone accent in an entryway, the Hiro Dining Chair offers both sculptural presence and exceptional comfort, enriching its surroundings with a quiet sense of luxury.

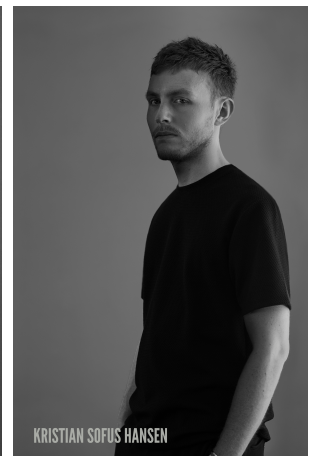
Designer Description

Tommy Hyldahl and Kristian Sofus Hansen intertwine their distinct sensibilities to create designs where storytelling, materiality, and timeless form meet in quiet harmony.

With a background in fashion, Tommy brings an intuitive eye for trends, colors, and textures. His process is one of layering histories, blending details and references from past design periods and reimagining them into something fresh and contemporary. Each collection unfolds as a narrative, evolving from concept to creation, with every element contributing to a greater story.

Kristian, who has lived and studied in Japan, seeks to unite Japanese aesthetics with Danish design, creating a characteristic twist on simplicity itself. His work is defined by the search for subtle, original details that elevate each piece with a unique signature. Drawing inspiration from art and sculpture, his creative process unfolds in new and exciting ways, always striving to craft designs that are both functional and timeless.

Together, they craft design that transcends time, poetic yet practical, expressive yet enduring.



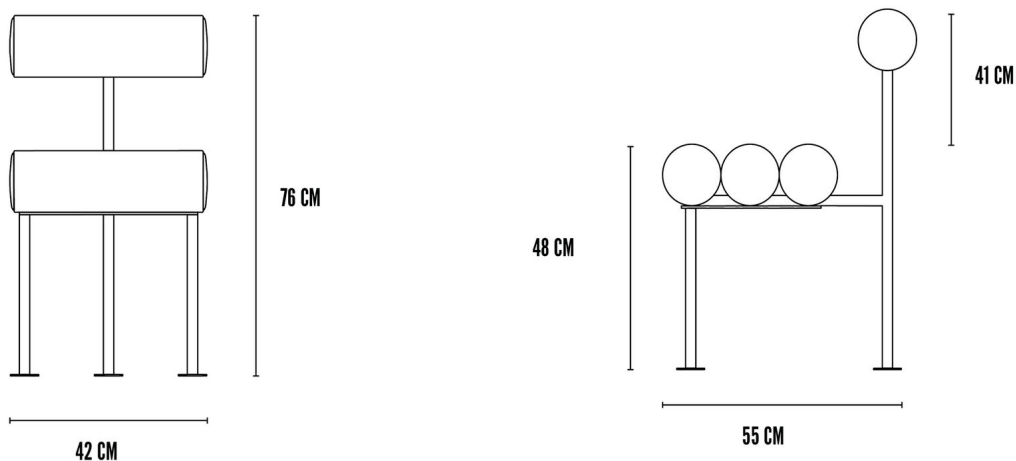
Hiro Dining Chair, Stainless Steel - Nubuck

Main

SKU	253051	Product Family	Hiro
Product name	Hiro Dining Chair, Stainless Steel - Nubuck	Color	Stainless Steel - Nubuck
Product Type	Dining Chair	Size	Regular
		Unit	Piece

Logistics

EAN number	4251501414087	Package - CBM	0.206
Package height in cm	79.00	Package - Weight KG	13.300
Package width in cm	58.00	Tariff Code No	9401719000
Package length in cm	45.00	Country of origin	China
Suitable for Courier	Yes	Quantity of Inner Boxes	1



Hiro Dining Chair, Stainless Steel - Nubuck

Product

Materials	High Polished Stainless Steel & Nubuck	Net weight in kg	10.4
Item Height in cm	76.00	Space Suitability	Indoor
Item width in cm	55.00	Strength Test	No
Item length in cm	42.00	FSC Wood	N/A

Upholstery

Fabric	Nubuck Leather (NU30)	Cigarette Test - CAL-117	No
Martindale	50.000	Cigarette Test - EN 1021-1	Yes
Colour Fastness to Light	3	Cigarette Test - BS5852 Part 1	No
Pilling	5.000 Rubs	Match Flame Test - EN 1021-2	No
Oeko Tex	N/A	Ignition Source 5 (Crib 5) - BS 5852 Part 2	No
Fire Test Foam	CAL-117	NF P92-507 - Class M1	No

Hiro Dining Chair, Stainless Steel - Nubuck

Family Description Text

The Hiro Collection is named after the Japanese word for "generous," and that spirit of generosity is expressed in every detail. Inspired by minimalist art and the quiet elegance of Japanese design, it transforms pure geometry into something sculptural, tactile, and welcoming.

Repeating cylindrical shapes create a shared rhythm across the pieces. The bench sits low and grounded, supported by two legs, each formed from four upholstered cylinders gathered together like soft architectural columns. The dining chair contrasts this softness with three cylindrical metal legs, giving it a poised and deliberate stance, while rounded upholstered volumes offer comfort with restraint.

Together, the pieces shape a quiet dialogue between structure and softness, weight and lightness. The Hiro Collection does not seek attention. It settles into a space, bringing warmth, stillness, and a sense of generosity through thoughtful presence.

Color Description

This pairing contrasts the mirrored brilliance of high-polished stainless steel with the soft, natural warmth of Nude Nubuck. The steel's reflective silver surface captures light with sharp precision, while the nude tone of the nubuck brings balance through its authentic beige softness. Together, they form a dialogue between sleek modern clarity and organic tactility an elegant harmony of shine and subtlety.

Hiro Dining Chair, Stainless Steel - Nubuck

Maintenance Guide Description

This piece combines the mirror-like brilliance of high polished stainless steel with the velvety softness of nubuck leather. Each material requires dedicated care to preserve its unique character.

For high polished stainless steel, clean with a soft, damp cloth and mild soap when necessary, then dry immediately to avoid streaks or water marks. Occasional polishing with a clean, dry cloth will help maintain its reflective finish. Avoid abrasive pads, rough sponges, or aggressive cleaners, as these can scratch the surface and reduce its clarity. Harsh chemicals such as bleach or ammonia should never be used.

For nubuck upholstery, brush the surface regularly with a soft nubuck brush to lift the nap and prevent dust from settling. Avoid contact with water, oils, or sharp objects, as nubuck is sensitive to staining and scratching. Spills should be blotted immediately with a clean, dry cloth--never rubbed. For light marks, a nubuck cleaning block or brush may be used, while deeper cleaning should be entrusted to a professional leather specialist. Keep the upholstery away from direct sunlight and heat sources to prevent fading or drying.

With attentive care, the combination of stainless steel's crisp brilliance and nubuck's tactile depth will retain its elegance, comfort, and individuality for many years.

Materials Description

This combination brings together the sharp brilliance of high polished stainless steel with the velvety tactility of nubuck leather. The steel is finished to a mirror-like clarity, reflecting its surroundings with architectural precision and purity. In contrast, nubuck offers a soft, matte surface lightly sanded to reveal a suede-like texture, enriched by subtle tonal variations that evolve into a unique patina over time.

Together, these materials create a dialogue of contrasts hard and soft, reflective and muted, enduring and evolving resulting in furniture that is both sculptural and sensorial, embodying refinement, character, and timeless presence.