

101

C O P E N H A G E N



Hiro Dining Chair, Stainless Steel - Aniline Leather Black

Designed by

Kristian Sofus Hansen &
Tommy Hyldahl

Hiro Dining Chair, Stainless Steel - Aniline Leather Black

Product Description

The Hiro Dining Chair named after the Japanese word for "generous," embodies a sense of understated elegance and inviting comfort.

The sculptural, three-legged design is inspired by minimalist art, transforming the chair into a striking spatial object. A cylindrical backrest doubles as a discreet handle, encouraging fluid movement and adaptability in everyday settings. A polished stainless-steel frame paired with black Aniline leather adds a bold yet airy sophistication. The composition celebrates the chair's pure silhouette and harmonious proportions - where clarity of design meets the warmth of craftsmanship in a single, generous gesture.

Perfect around a dining table, at the head of a meeting space, or as a standalone accent in an entryway, the Hiro Dining Chair offers both sculptural presence and exceptional comfort, enriching its surroundings with a quiet sense of luxury.

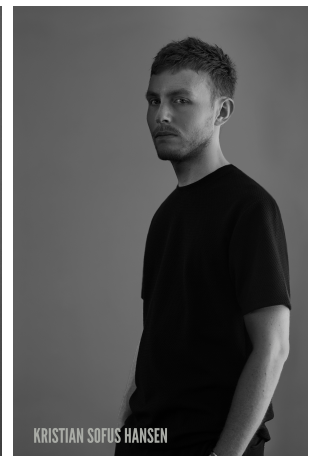
Designer Description

Tommy Hyldahl and Kristian Sofus Hansen intertwine their distinct sensibilities to create designs where storytelling, materiality, and timeless form meet in quiet harmony.

With a background in fashion, Tommy brings an intuitive eye for trends, colors, and textures. His process is one of layering histories, blending details and references from past design periods and reimagining them into something fresh and contemporary. Each collection unfolds as a narrative, evolving from concept to creation, with every element contributing to a greater story.

Kristian, who has lived and studied in Japan, seeks to unite Japanese aesthetics with Danish design, creating a characteristic twist on simplicity itself. His work is defined by the search for subtle, original details that elevate each piece with a unique signature. Drawing inspiration from art and sculpture, his creative process unfolds in new and exciting ways, always striving to craft designs that are both functional and timeless.

Together, they craft design that transcends time, poetic yet practical, expressive yet enduring.



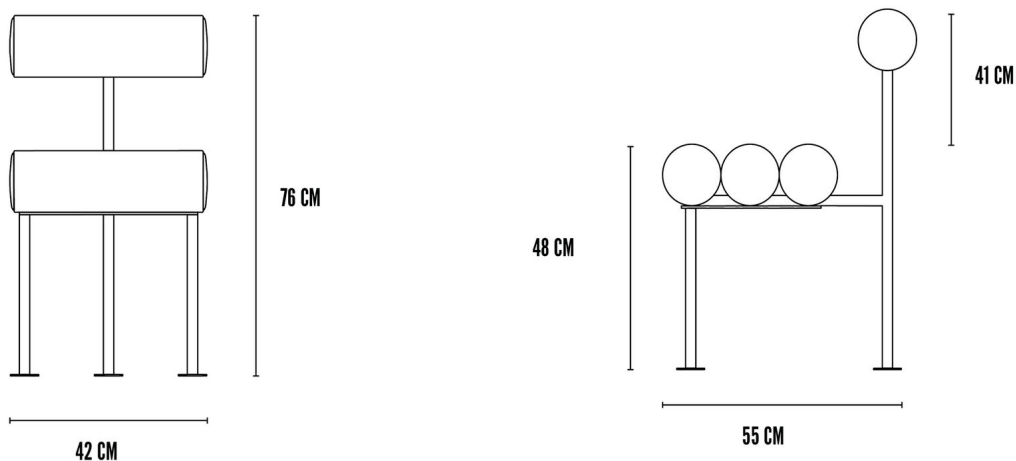
Hiro Dining Chair, Stainless Steel - Aniline Leather Black

Main

SKU	253049	Product Family	Hiro
Product Name	Hiro Dining Chair, Stainless Steel - Aniline Leather Black	Color	Stainless Steel & Aniline Leather Black
Product Type	Dining Chair	Size	Regular
		Unit	Piece

Logistics

EAN number	4251501414209	Package - CBM	0.206
Package height in cm	79.00	Package - Weight KG	13.300
Package width in cm	58.00	Tariff Code No	9401719000
Package length in cm	45.00	Country of origin	China
Suitable for Courier	Yes	Quantity of Inner Boxes	1



Hiro Dining Chair, Stainless Steel - Aniline Leather Black

Product

Materials	High Polished Stainless Steel & Aniline Leather	Net weight in kg	10.4
Item Height in cm	76.00	Space Suitability	Indoor
Item width in cm	55.00	Strength Test	No
Item length in cm	42.00	FSC Wood	No

Upholstery

Fabric	Aniline Leather YH-002#	Cigarette Test - CAL-117	No
Martindale	50.000	Cigarette Test - EN 1021-1	Yes
Colour Fastness to Light		Cigarette Test - BS5852 Part 1	No
Pilling		Match Flame Test - EN 1021-2	No
Oeko Tex		Ignition Source 5 (Crib 5) - BS 5852 Part 2	No
Fire Test Foam	CAL-117	NF P92-507 - Class M1	No

Hiro Dining Chair, Stainless Steel - Aniline Leather Black

Family Description Text

The Hiro Collection is named after the Japanese word for "generous," and that spirit of generosity is expressed in every detail. Inspired by minimalist art and the quiet elegance of Japanese design, it transforms pure geometry into something sculptural, tactile, and welcoming.

Repeating cylindrical shapes create a shared rhythm across the pieces. The bench sits low and grounded, supported by two legs, each formed from four upholstered cylinders gathered together like soft architectural columns. The dining chair contrasts this softness with three cylindrical metal legs, giving it a poised and deliberate stance, while rounded upholstered volumes offer comfort with restraint.

Together, the pieces shape a quiet dialogue between structure and softness, weight and lightness. The Hiro Collection does not seek attention. It settles into a space, bringing warmth, stillness, and a sense of generosity through thoughtful presence.

Color Description

This pairing unites the mirrored brilliance of high-polished stainless steel with the depth of black aniline leather. The steel reflects light with sharp, liquid clarity, while the leather's rich, natural surface adds warmth and quiet sophistication. Together, they create a bold contrast of shine and matte, precision and tactility modern, timeless, and refined.

Hiro Dining Chair, Stainless Steel - Aniline Leather Black

Maintenance Guide Description

This piece combines the mirror-like clarity of high polished stainless steel with the natural beauty of aniline leather. Both materials require attentive care to preserve their refined character.

For high polished stainless steel, clean with a soft, damp cloth and mild soap when necessary, then dry immediately to prevent streaks or water marks. Occasional polishing with a clean, dry cloth will help maintain its brilliance. Avoid abrasive sponges, pads, or harsh chemicals such as bleach or ammonia, as these can scratch or dull the reflective surface.

For aniline leather, dust or vacuum regularly with a soft brush attachment. Wipe gently with a clean, dry cloth never soak or rub. Because aniline leather is highly absorbent, spills should be blotted immediately to minimize staining. Avoid oils, solvents, and household cleaners, which can damage the natural surface. Over time, aniline leather will develop a unique patina; occasional treatment with a high-quality leather conditioner will help maintain its suppleness. Keep upholstered areas away from direct sunlight, heat sources, and high humidity to prevent fading or drying.

With thoughtful care, the combination of polished steel and aniline leather will retain its brilliance, comfort, and authenticity for many years.

Materials Description

This combination unites the crisp brilliance of high polished stainless steel with the natural richness of aniline leather. The steel is finished to a mirror-like clarity, reflecting its surroundings with architectural precision and purity. In contrast, aniline leather reveals the authentic character of the hide, with a soft touch, visible natural markings, and a surface that develops a deep, individual patina over time.

Together, these materials create a dialogue of contrasts reflective and organic, precise and natural, enduring and evolving resulting in furniture that is both sculptural and sensorial, embodying refinement, authenticity, and timeless presence.