

101

C O P E N H A G E N



Artist Dining Table, Ø120 - Coffee Black Oak

Designed by

Kristian Sofus Hansen &
Tommy Hyldahl

Artist Dining Table, Ø120 - Coffee Black Oak

Product Description

The Artist Dining Table is a Round 120cm table in Coffee Black Oak.

Rising from the floor like a sculptural masterpiece, the Artist Dining Table is more than furniture it is a statement of balance and form. Geometric shapes converge into a bold focal point, bringing a brutalist yet refined presence that commands the room.

The table unites American Red Oak and hand-painted fiber concrete, two materials in dialogue. FSC-certified oak carries the warmth and resilience of the forest, its grain telling a story that deepens into a rich patina over time. In contrast, the fiber concrete base introduces a refined rawness cast with strength, then hand-painted to reveal subtle variations that make every piece one of a kind.

Together, they create harmony between warm and cool, organic, and architectural, enduring and crafted. The Artist Dining Table is not just a surface to gather around it is a true centrepiece, a piece of functional art designed to anchor interiors with timeless beauty and expressive strength.

The Artist Dining Table invites people to come together. Its round shape encourages conversation and connection, creating a natural flow where everyone feels included.

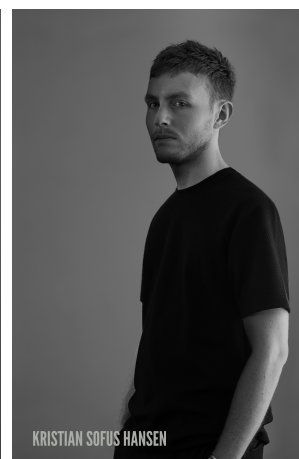
Designer Description

Tommy Hyldahl and Kristian Sofus Hansen intertwine their distinct sensibilities to create designs where storytelling, materiality, and timeless form meet in quiet harmony.

With a background in fashion, Tommy brings an intuitive eye for trends, colors, and textures. His process is one of layering histories, blending details and references from past design periods and reimagining them into something fresh and contemporary. Each collection unfolds as a narrative, evolving from concept to creation, with every element contributing to a greater story.

Kristian, who has lived and studied in Japan, seeks to unite Japanese aesthetics with Danish design, creating a characteristic twist on simplicity itself. His work is defined by the search for subtle, original details that elevate each piece with a unique signature. Drawing inspiration from art and sculpture, his creative process unfolds in new and exciting ways, always striving to craft designs that are both functional and timeless.

Together, they craft design that transcends time, poetic yet practical, expressive yet enduring.



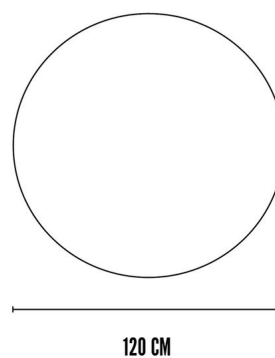
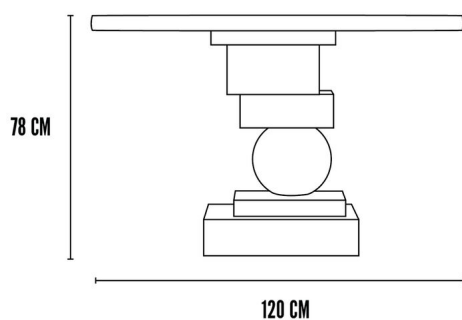
Artist Dining Table, Ø120 - Coffee Black Oak

Main

SKU	261099	Product Family	Artist
Product name	Artist Dining Table, Å~120 - Coffee Black Oak	Color	Coffee Black Oak
Product Type	Dining Table	Size	Ø120
		Unit	Piece

Logistics

EAN number	4251501415954	Package - CBM	0.304
Package height in cm	18.00	Package - Weight KG	37.000
Package width in cm	130.00	Tariff Code No	9403601000
Package length in cm	130.00	Country of origin	China
Suitable for Courier	No	Quantity of Inner Boxes	1



Artist Dining Table, Ø120 - Coffee Black Oak

Product

Materials	Oak	Net weight in kg	30
Item Height in cm	3.00	Space Suitability	Indoor
Item width in cm	120.00	Strength Test	No
Item length in cm	120.00	FSC Wood	Yes

Upholstery

Fabric		Cigarette Test - CAL-117
Martindale	N/A	Cigarette Test - EN 1021-1
Colour Fastness to Light	N/A	Cigarette Test - BS5852 Part 1
Pilling	N/A	Match Flame Test - EN 1021-2
Oeko Tex	No	Ignition Source 5 (Crib 5) - BS 5852 Part 2
Fire Test Foam	No	NF P92-507 - Class M1

Artist Dining Table, Ø120 - Coffee Black Oak

Family Description Text

Rising from the ground with quiet strength, the Artist Collection is not merely furniture but sculpture in motion. Each form is a meditation on balance and proportion, where geometry drifts into poetry and raw materials are shaped into timeless expressions of craft.

At the heart of the series, the Artist Dining Table stands as both a gathering place and a living artwork. Its base, sculpted in hand-painted fiber concrete, holds the piece with a sense of permanence and calm. Above, a wooden tabletop rests like a forest canvas, its living grain deepening in tone and meaning as the years move through it. Together they speak in harmony, one raw and elemental, the other warm and organic, their quiet dialogue unfolding through textures both enduring and expressive.

The Artist Side Tables echo this language of form and strength. In one form, they rise entirely from hand-painted fiber concrete, monolithic companions whose surfaces carry subtle variations like fingerprints of their making, each one singular and unrepeatable. In another, an oak tabletop meets a fiber concrete base, the two materials converging in a union of earth and wood, solidity and warmth. Brutalist in spirit yet softened by the human touch, they hold a presence that feels both architectural and intimately alive.

The Artist Collection is more than a series of objects. It is functional poetry that grounds interiors with quiet power and sculptural grace, inviting not only daily use but also moments of reflection and admiration.

Color Description

Coffee Black Oak is a profound, very dark brown that borders on black, recalling the richness of oak aged to its deepest intensity. With warmth hidden beneath its shadowed surface, it carries both strength and subtlety. This near-black shade speaks of quiet sophistication, timeless depth, and a natural elegance that grounds and enriches any setting.

Artist Dining Table, Ø120 - Coffee Black Oak

Maintenance Guide Description

This table combines the natural warmth of oak with the sculptural strength of a hand-painted fiber concrete base. Each element requires mindful care to preserve its beauty and integrity.

For the oak tabletop, dust regularly with a soft, dry cloth. For deeper cleaning, wipe with a slightly damp cloth following the wood grain, then dry immediately. Avoid abrasive cleaners, silicone-based polishes, or excess water, as these may damage the surface. Protect the tabletop with coasters, mats, or placemats to guard against stains, scratches, and heat marks, and wipe spills promptly. Keep the wood away from direct sunlight, high humidity, or heat sources to prevent fading, cracking, or warping.

For the hand-painted fiber concrete base, clean with a soft, dry cloth or a damp cloth with mild, pH-neutral soap as needed. Dry thoroughly after cleaning to avoid moisture spots. Do not use abrasive pads, harsh chemicals, or acidic/alkaline cleaners, which may damage the painted finish. Avoid prolonged exposure to standing water or extreme environmental conditions to maintain the surface's integrity.

With proper care, the oak tabletop will grow richer in character and the hand-painted concrete base will retain its crafted depth, ensuring the table ages with grace and enduring presence.

Materials Description

Our wooden furniture begins with American Red Oak a living material with a story in every grain. FSC-certified and responsibly sourced, this hardwood carries the quiet strength of the forests it comes from. Naturally resilient and long-lasting, it matures over time, developing a rich patina that speaks to years of use and care. Oak's tight grain and inherent strength make it ideal for everyday use, while its warm tones and textured surface add a grounded, refined beauty. It invites touch and wear, growing more personal with each passing year. We work with this wood respectfully, letting its natural stability guide sculptural forms bold lines, soft curves, and details that highlight its character.