

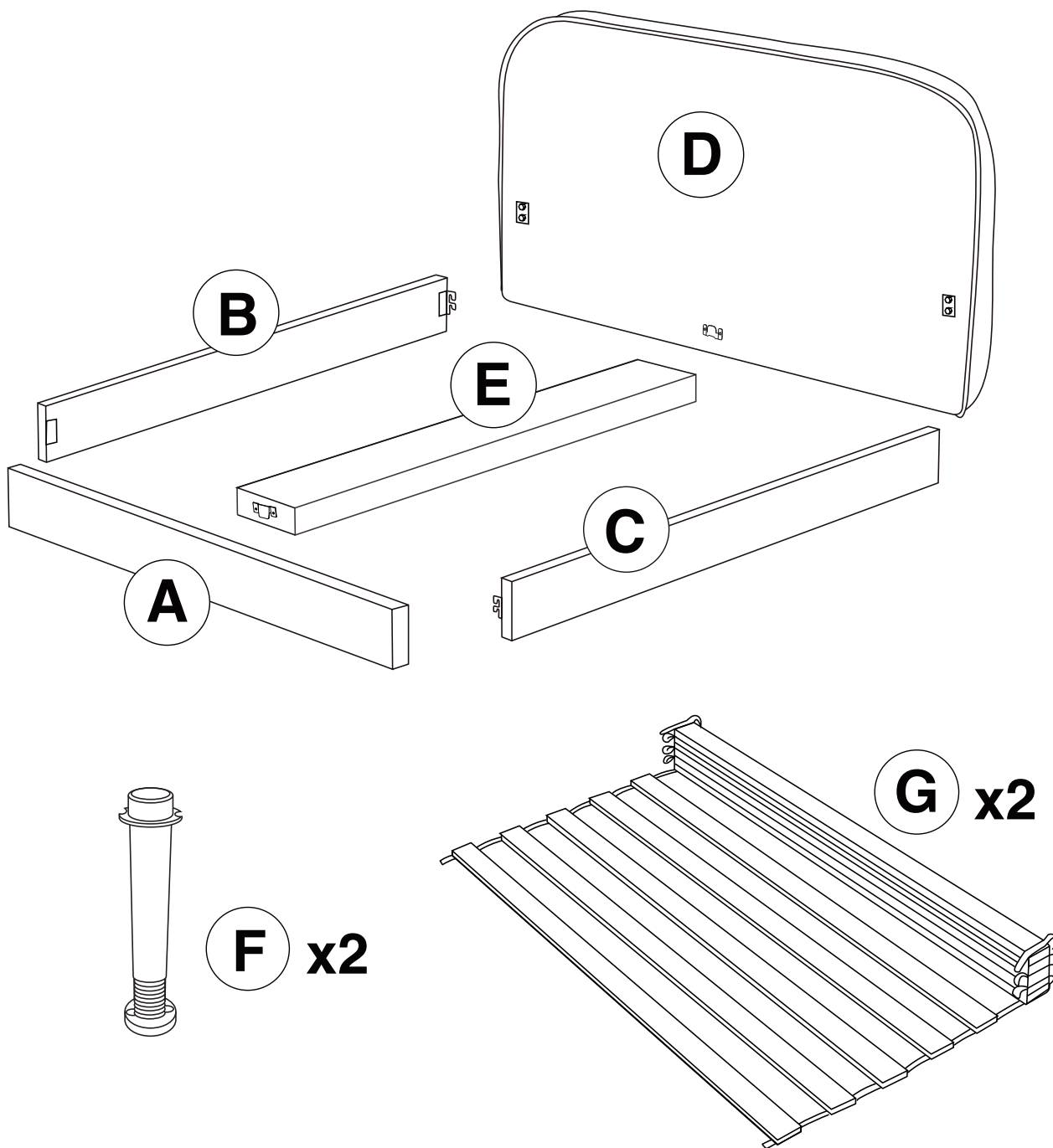
Bed assembly



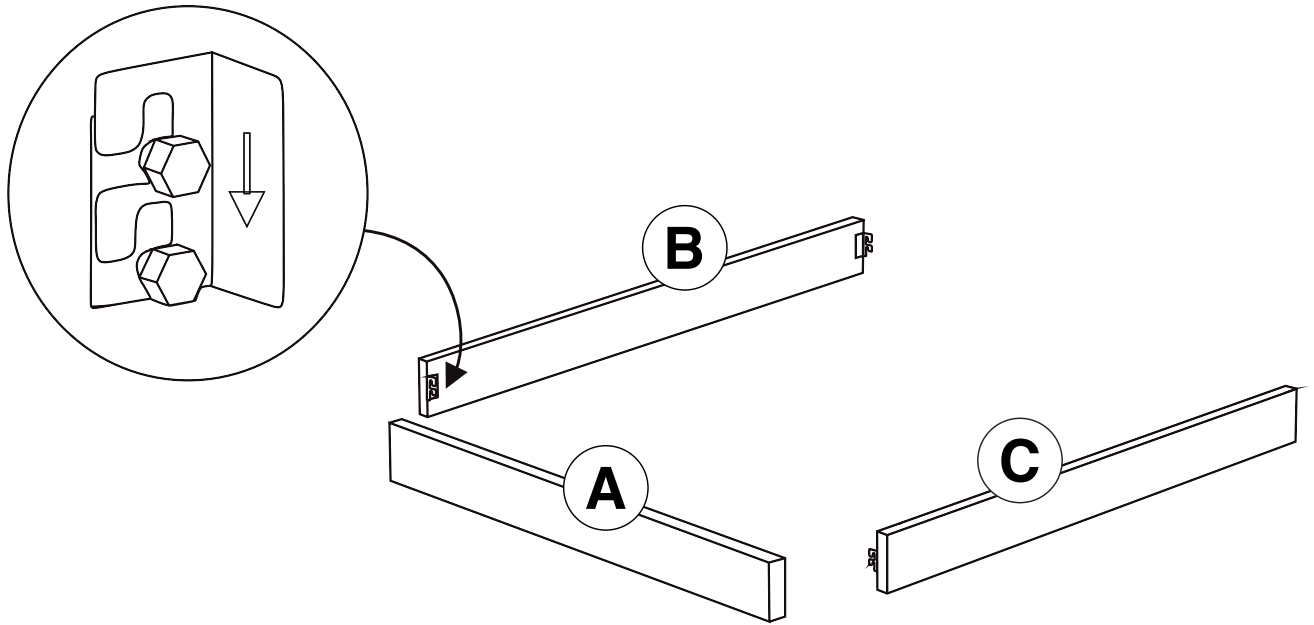
x12



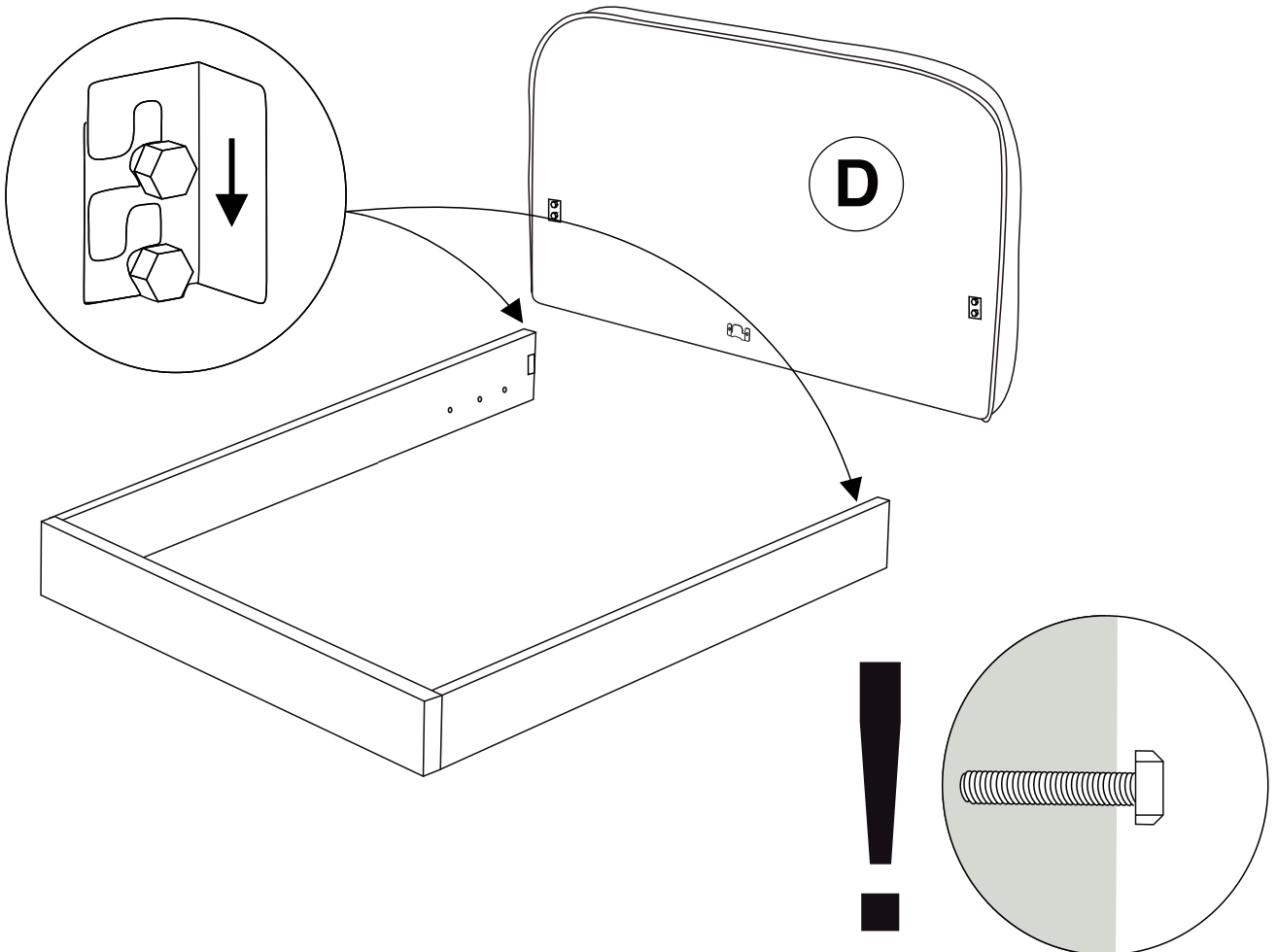
x2



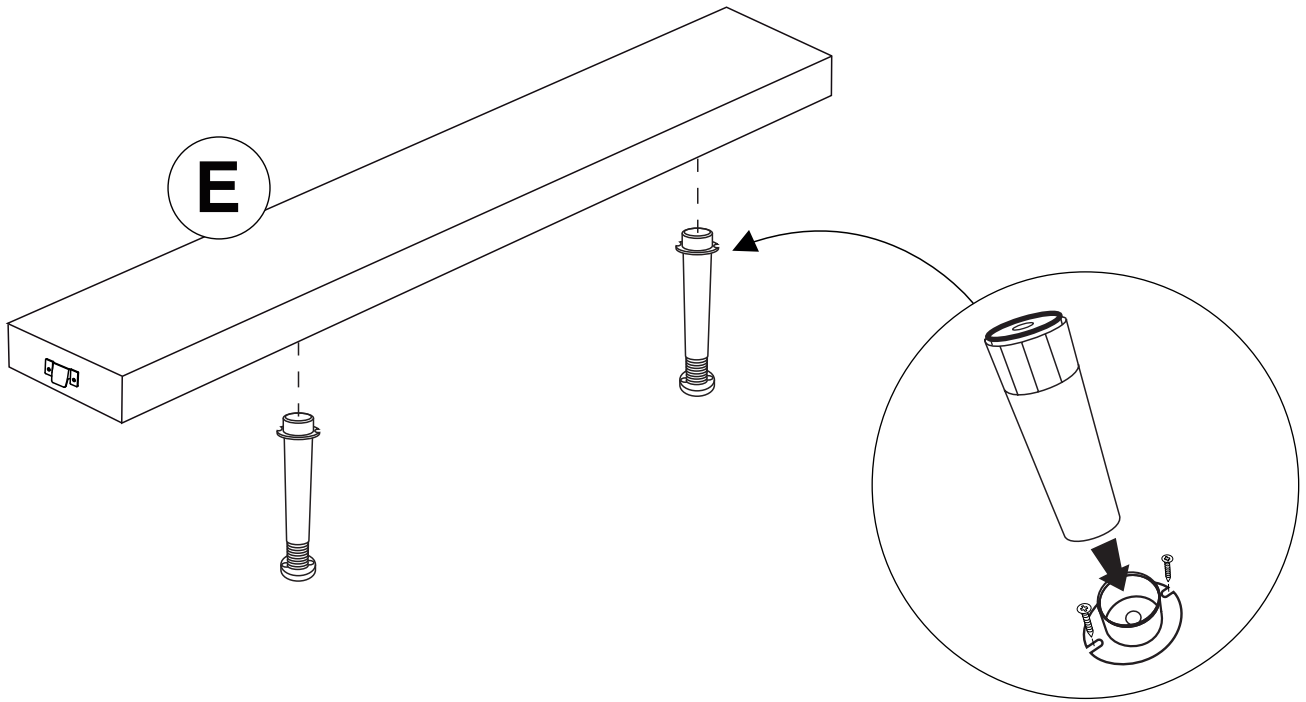
1



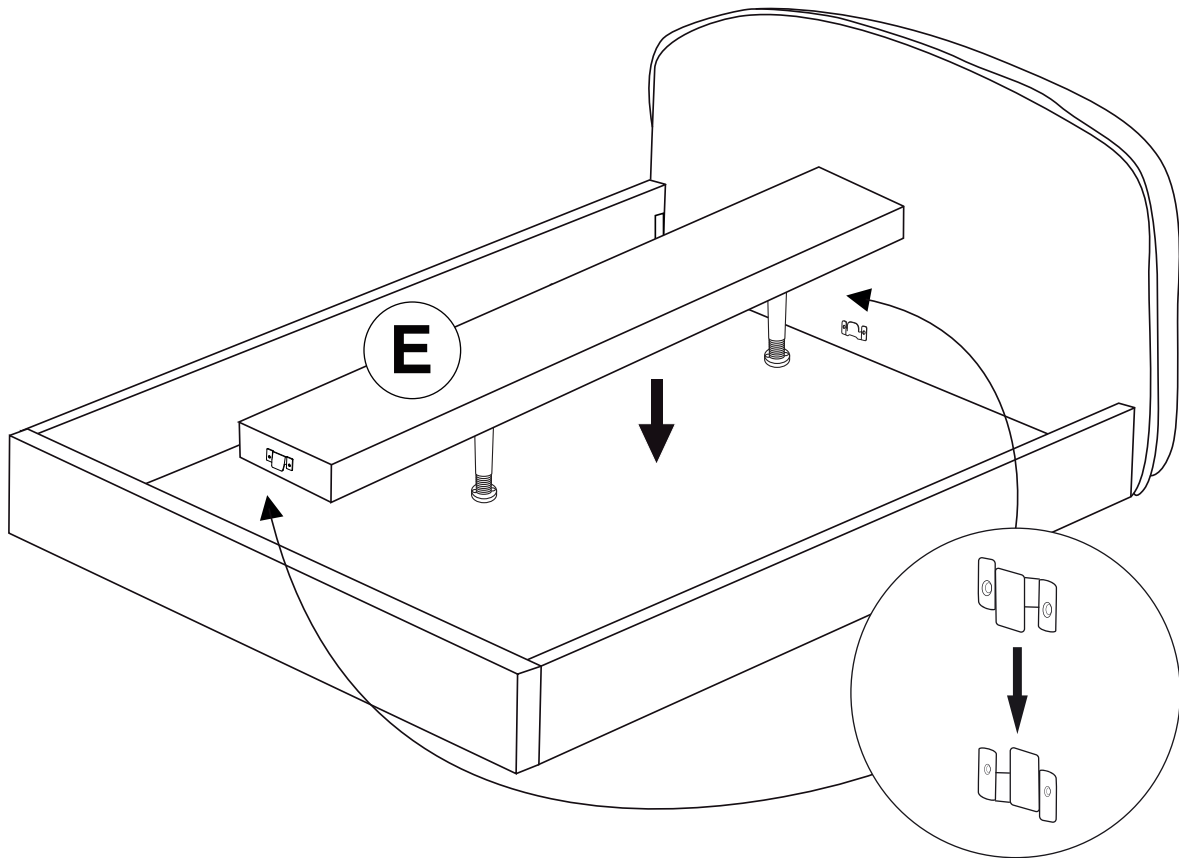
2



3



4



5

