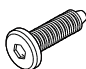


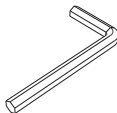
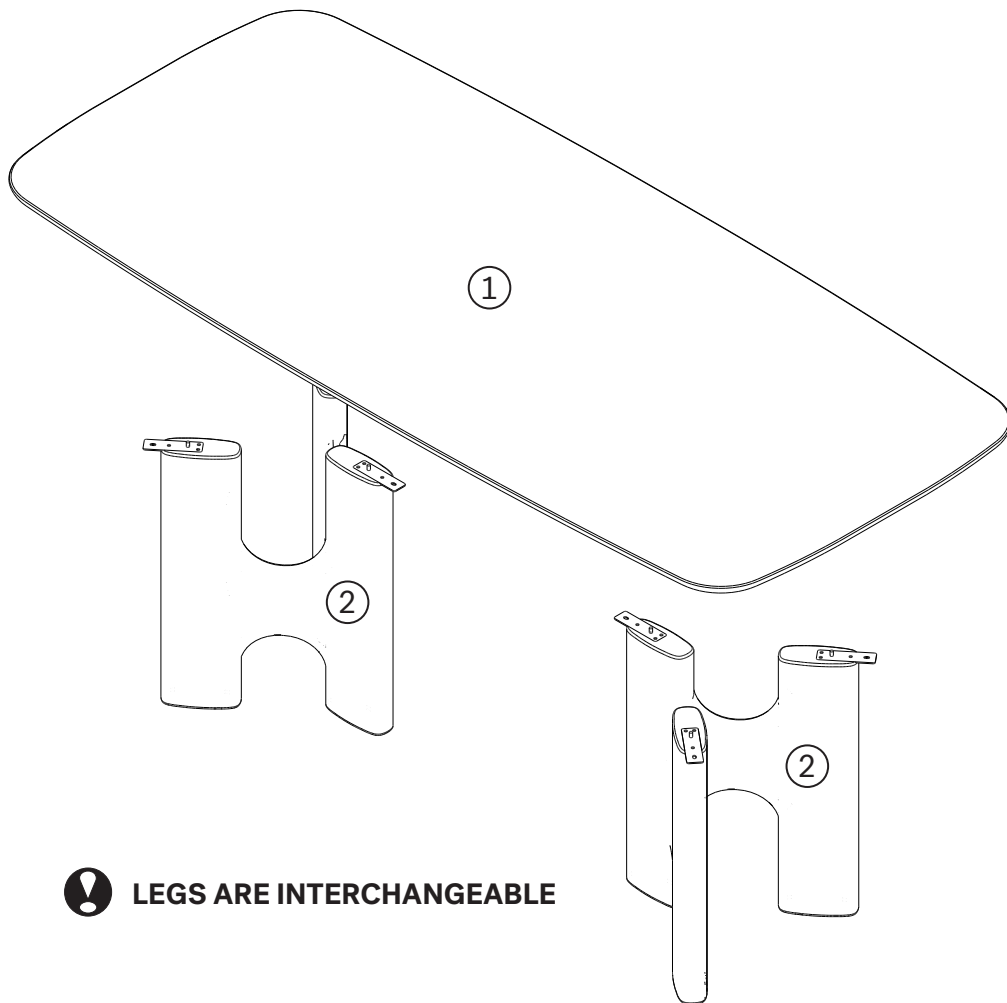
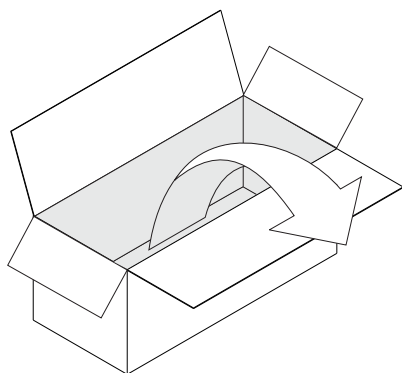


FLOW DINING TABLE ASSEMBLY INSTRUCTIONS FOR DINING TABLE INSTALLATION



HARDWARE & TOOL ENCLOSED

 JCBC SCREW M6x15 (6pcs)	 WASHER M6x18 (6pcs)	 SPRING WASHER M6 (6pcs)	 ALLEN KEY
---	---	---	---



IN YOUR PACKAGE :

ASSEMBLY INSTRUCTIONS
HARDWARE (AS LISTED ABOVE)

PARTS TO BE INSTALLED

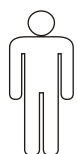
- 1. TABLE TOP (1 pc)
- 2. LEGS (2 pcs)

 **LEGS ARE INTERCHANGEABLE**

SYMBOLS



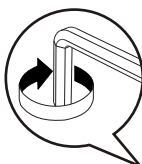
DIRECTION



NUMBER OF PERSONS NEEDED

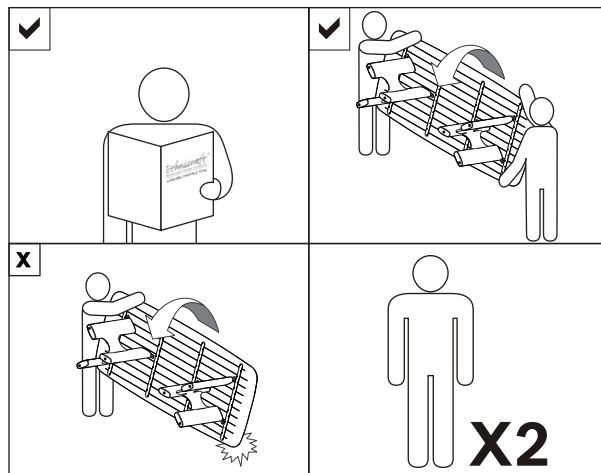


USE HAND



USE ALLEN KEY TO TIGHTEN

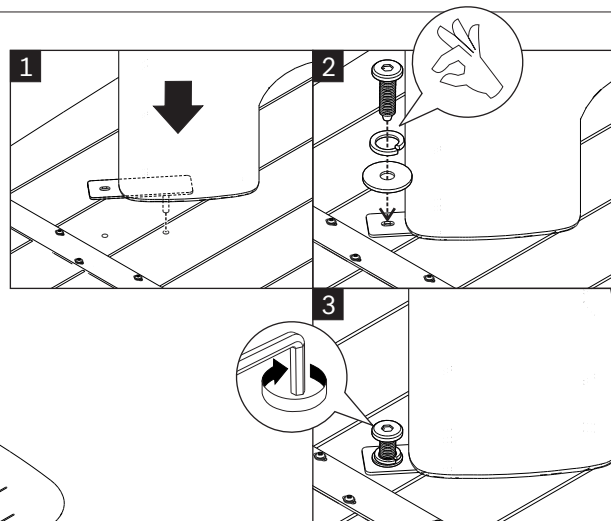
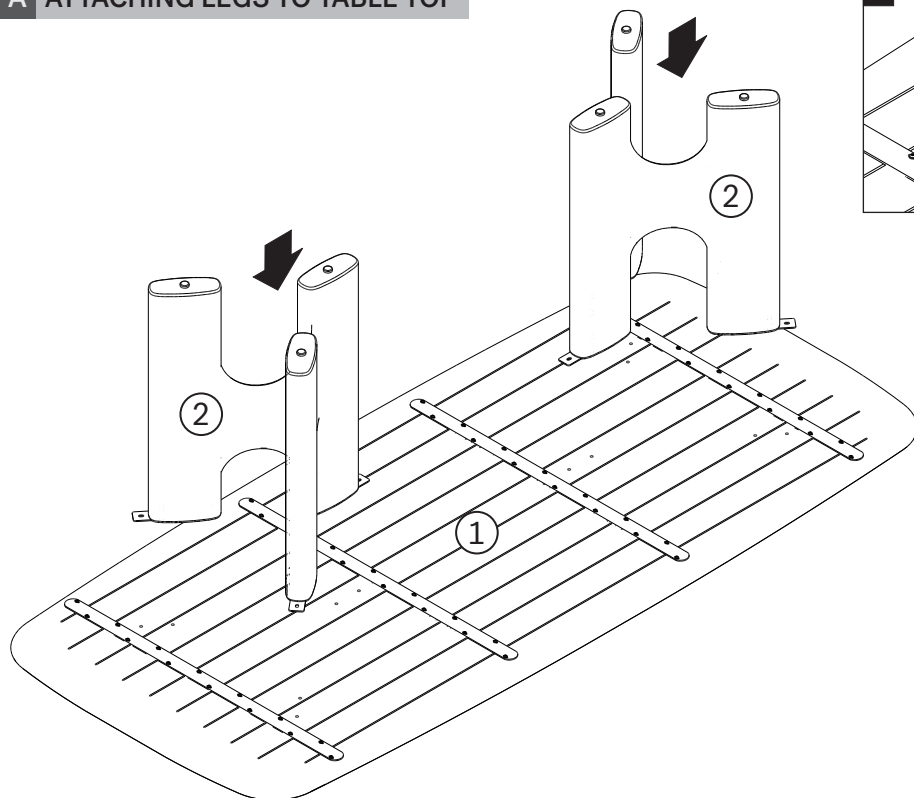
NOTICE



FLOW DINING TABLE ASSEMBLY INSTRUCTIONS FOR DINING TABLE INSTALLATION



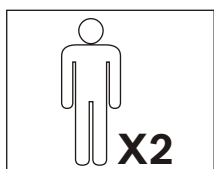
A ATTACHING LEGS TO TABLE TOP



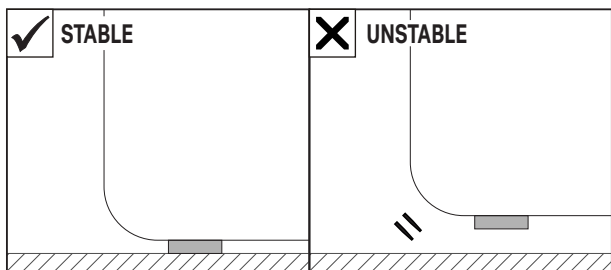
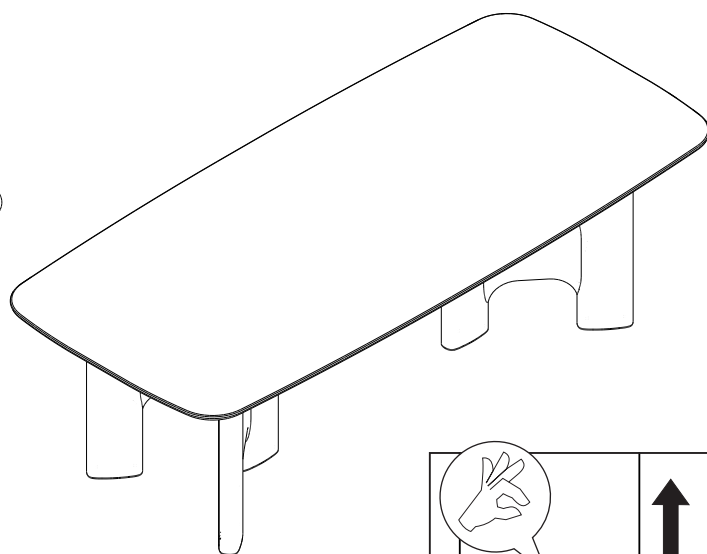
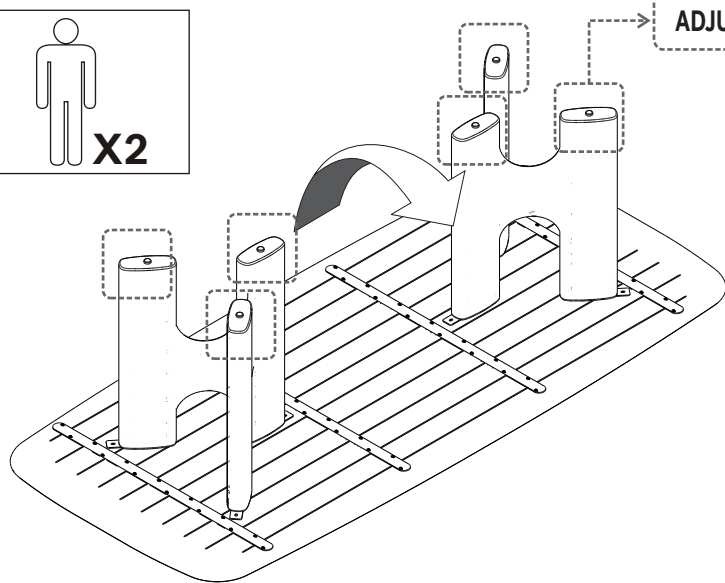
- USE JCBC SCREW M6x15 (6X)
- USE SPRING WASHER M6 (6X)
- USE WASHER M6x18 (6X)
- TIGHTEN FULLY

! REMOVE CONTENTS TO LAY OUT ON THE FLATTENED CARTON, CARPETED AREA OR ANOTHER PROTECTIVE SURFACE TO AVOID DAMAGE WHILE ASSEMBLING.

B MODIFY THE ADJUSTABLE GLIDES



ADJUSTABLE GLIDES



NOTE:
TO ENSURE STABILITY, ALL GLIDES SHOULD BE ADJUSTED TO MAKE EVEN CONTACT WITH THE SURFACE UNDERFOOT.

