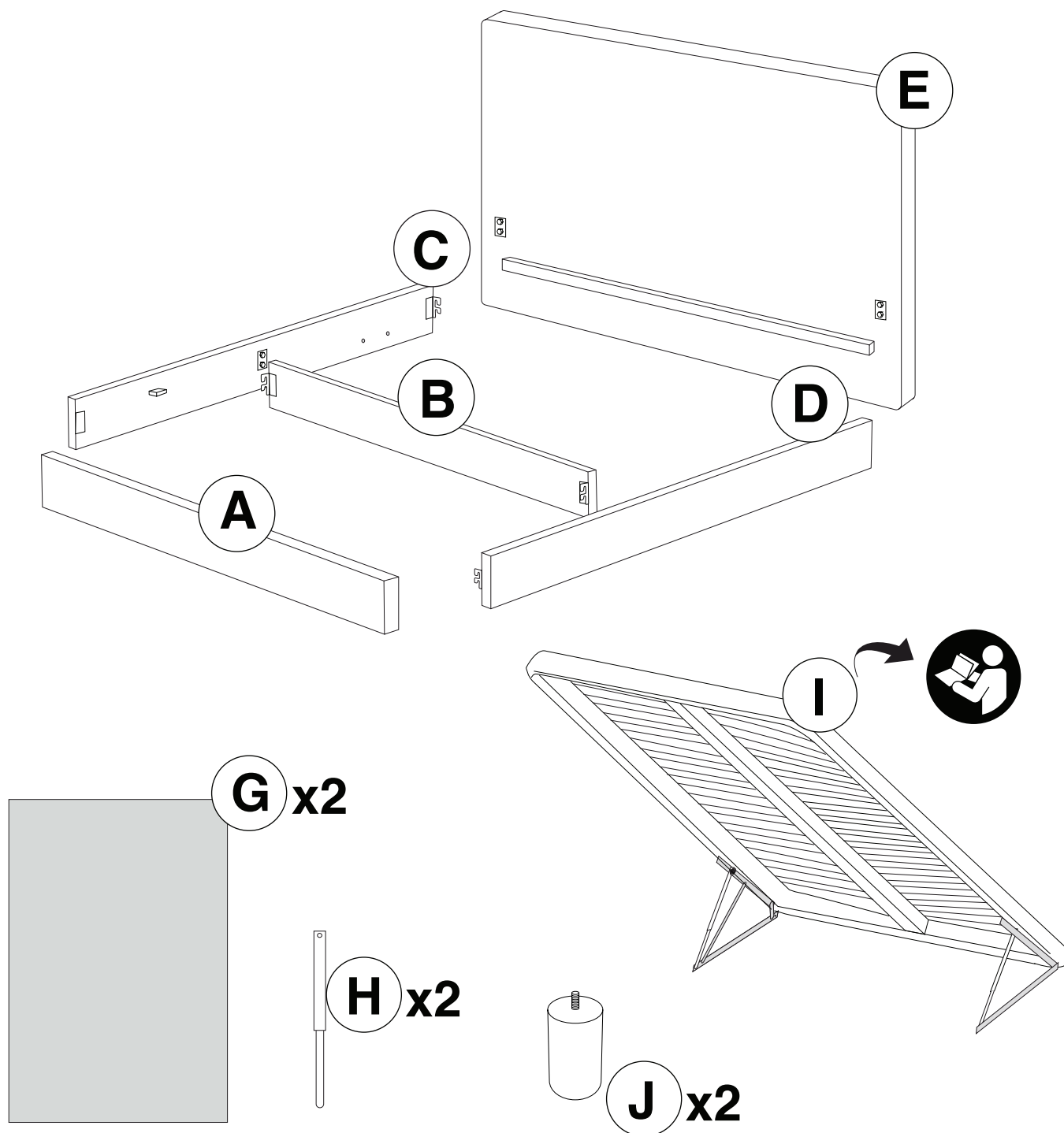


Bed assembly

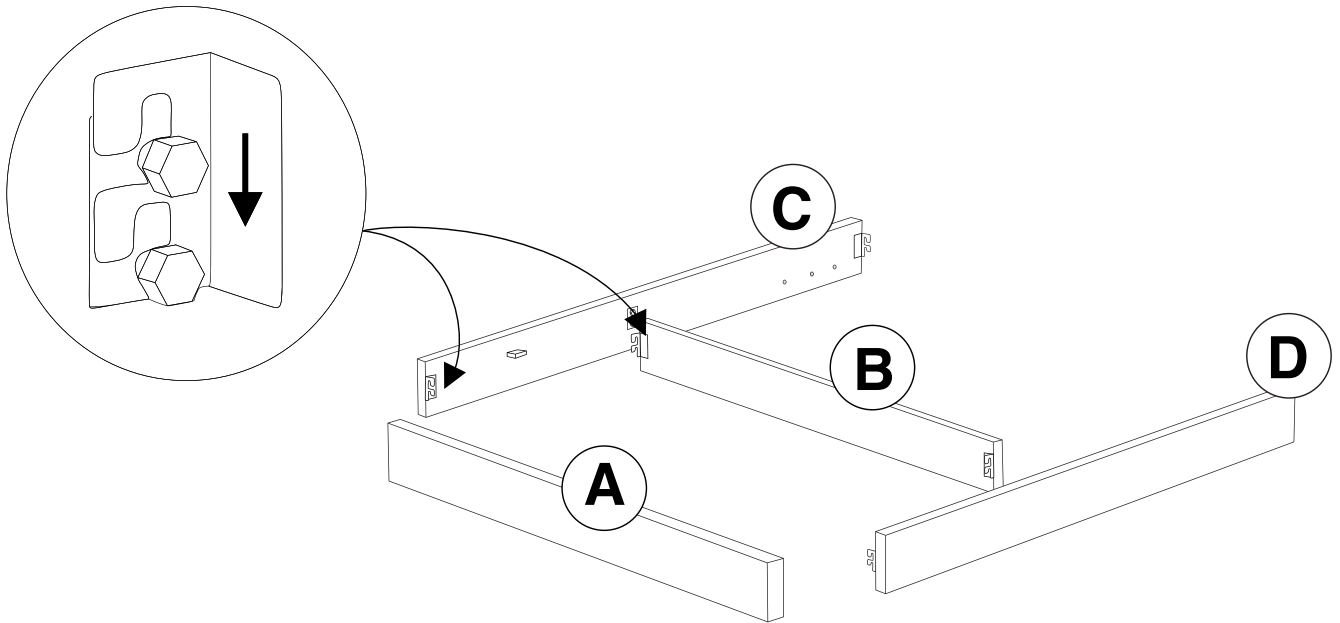


TYPE 3.1

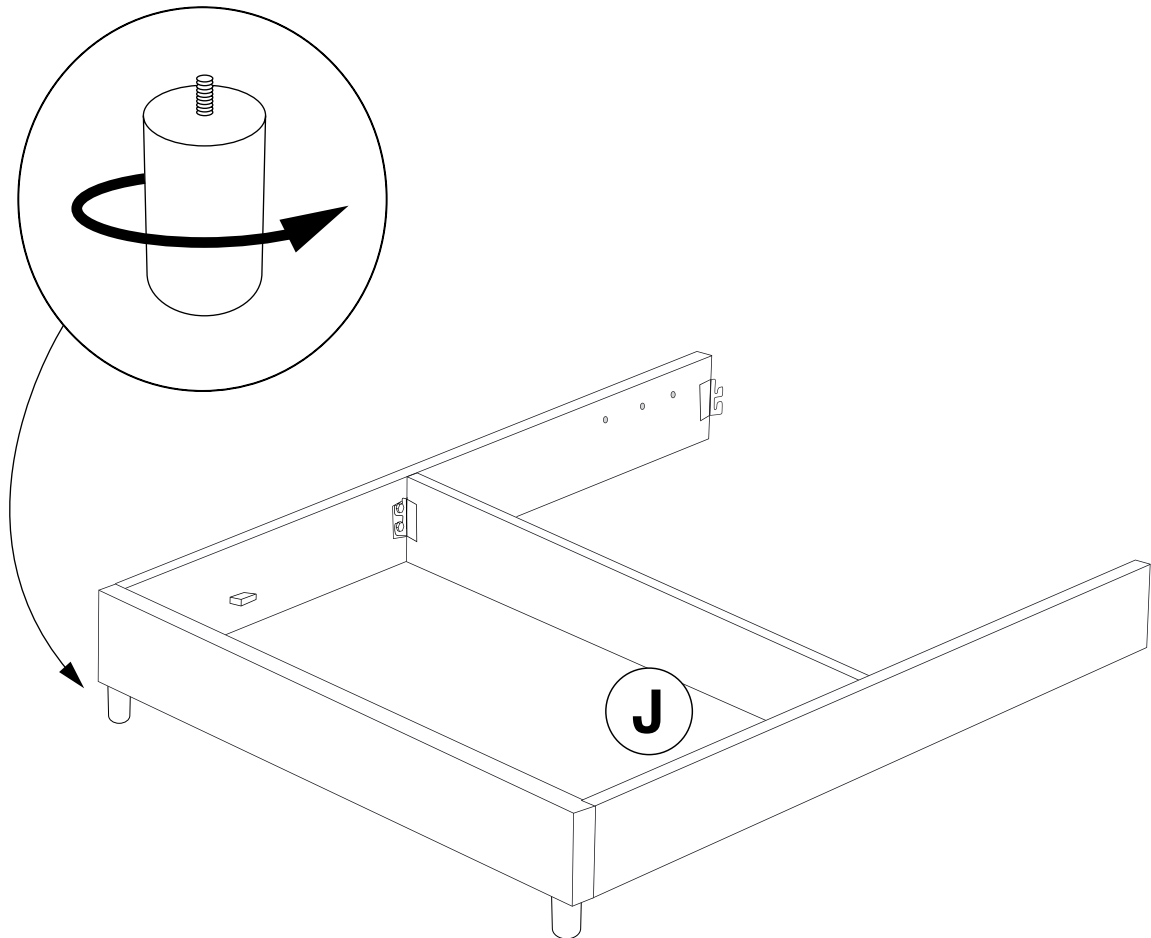
x2



1

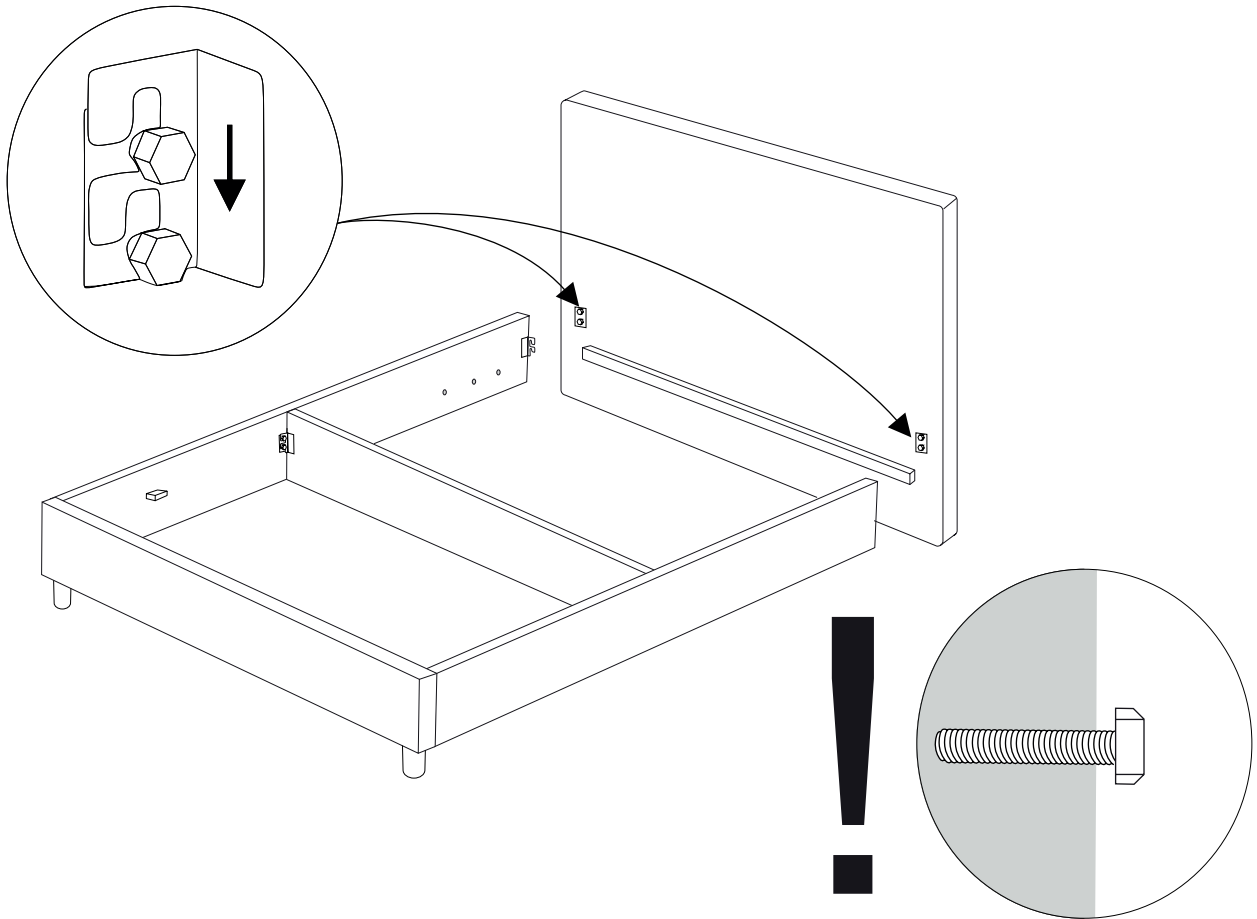


2

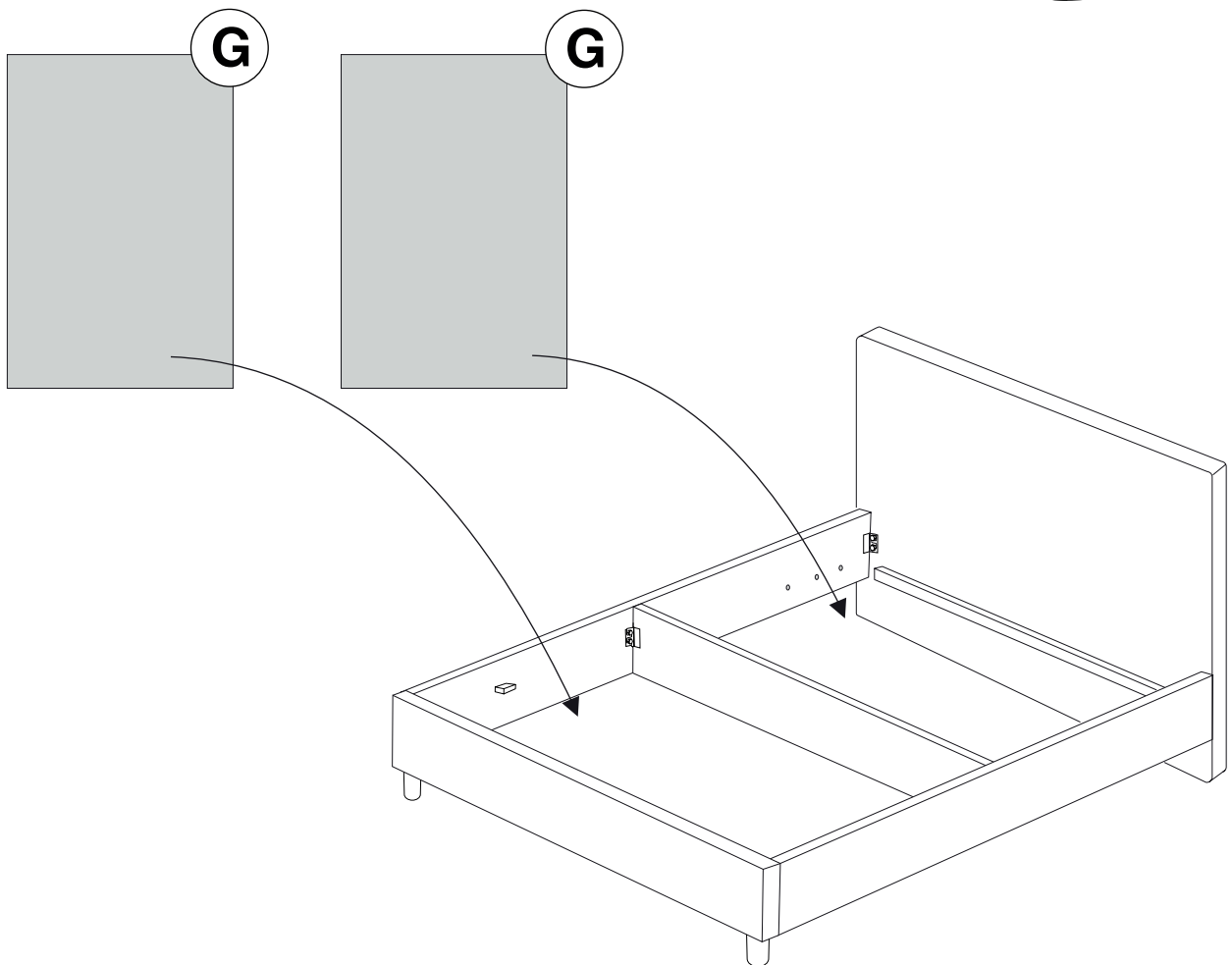


Bed assembly

3

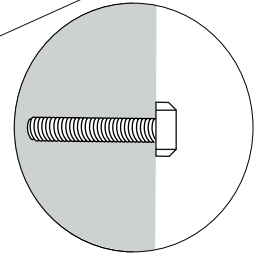
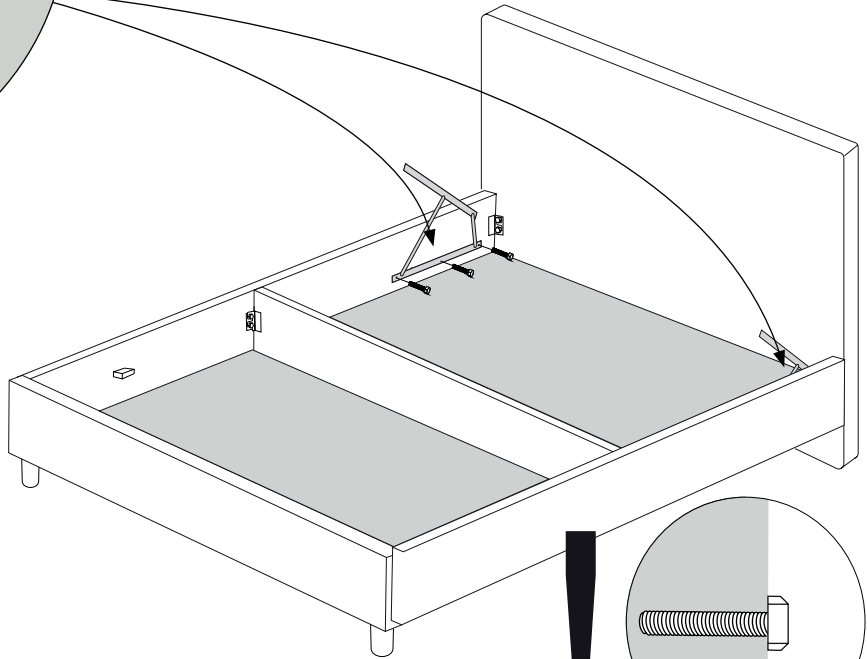
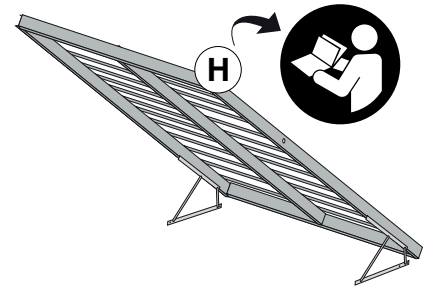
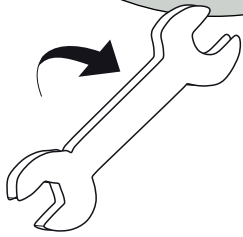
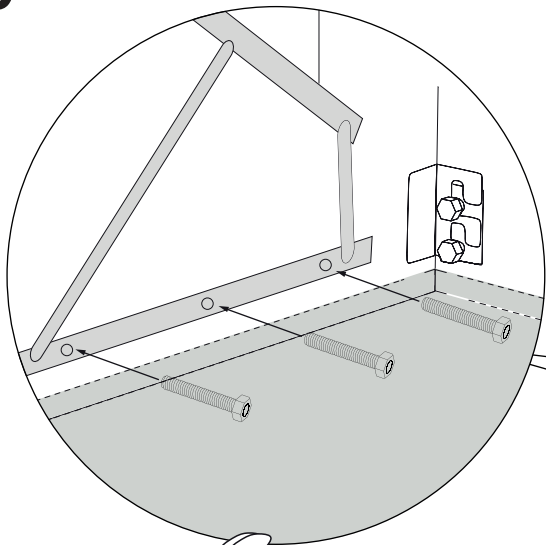


4

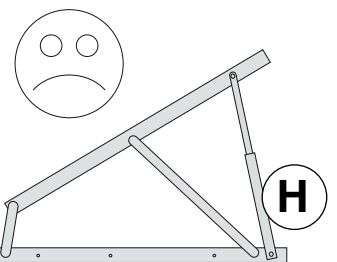
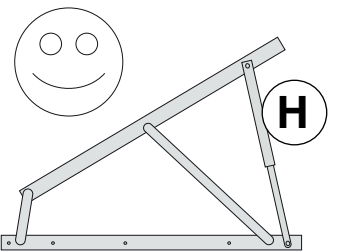
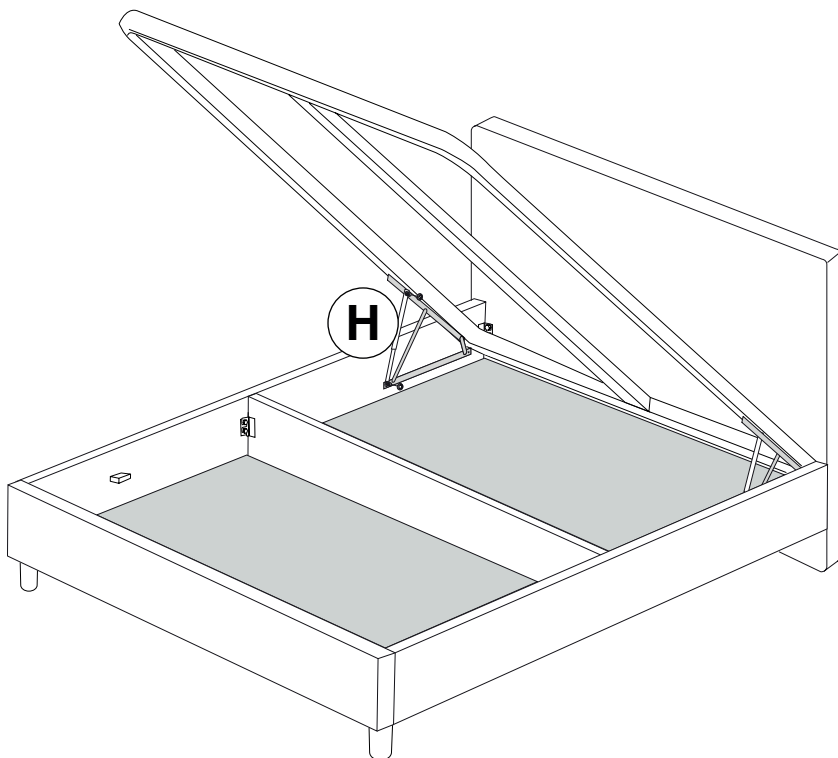


Bed assembly

5



6



7

