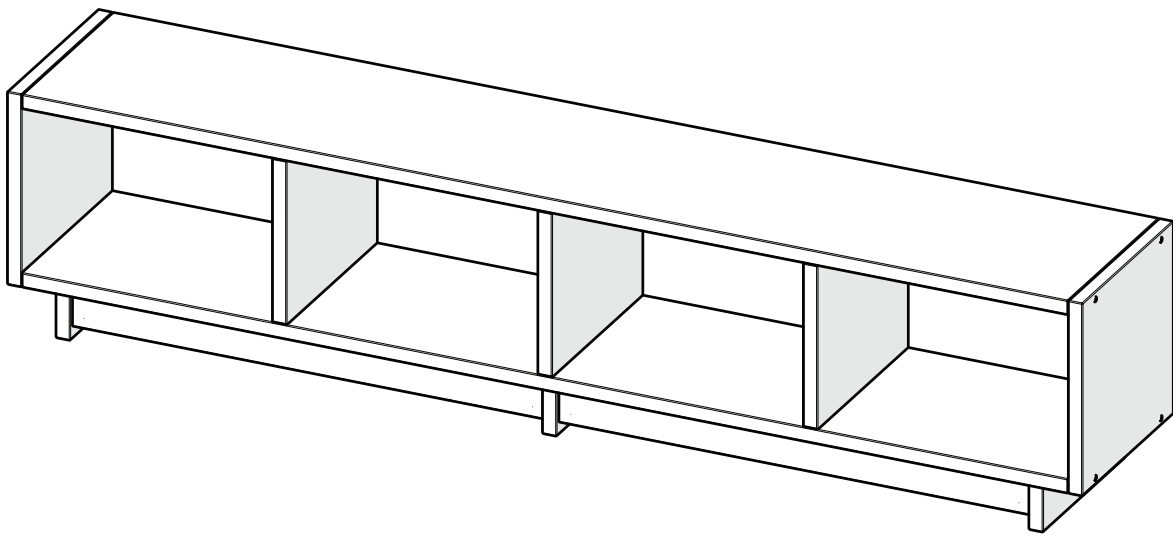


FYR BOOKCASE LOW

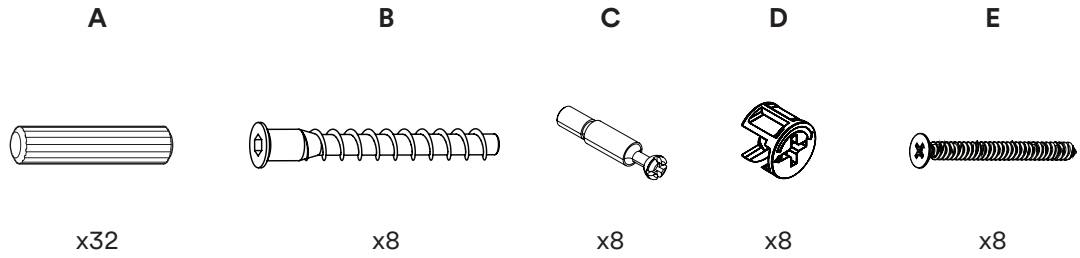
ASSEMBLY INSTRUCTIONS



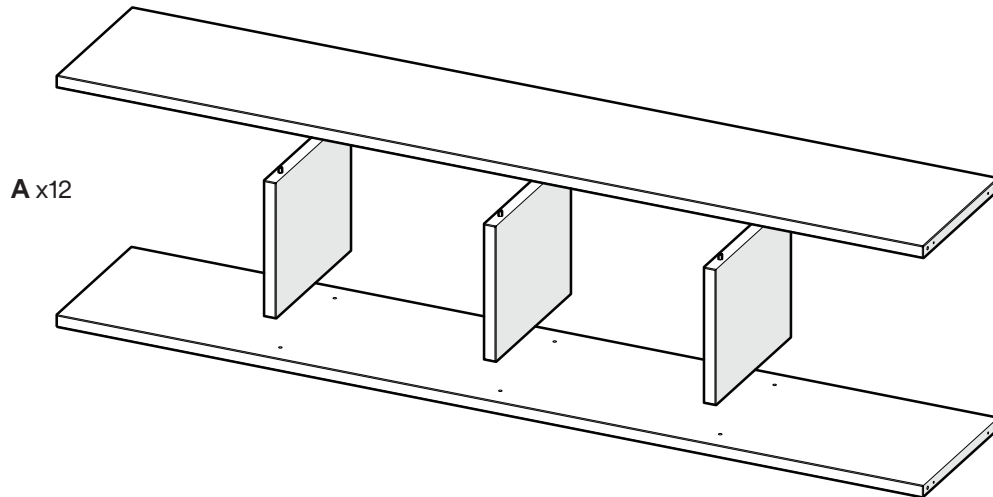
normann

C O P E N H A G E N

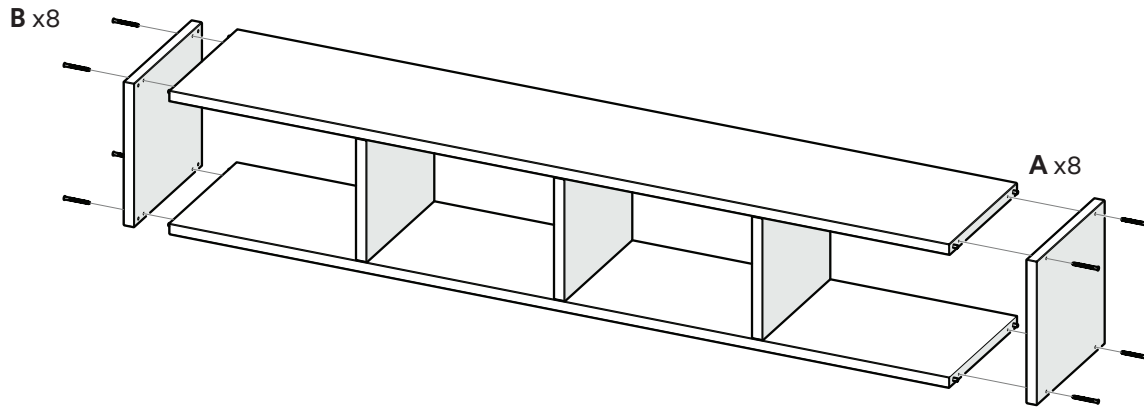
1



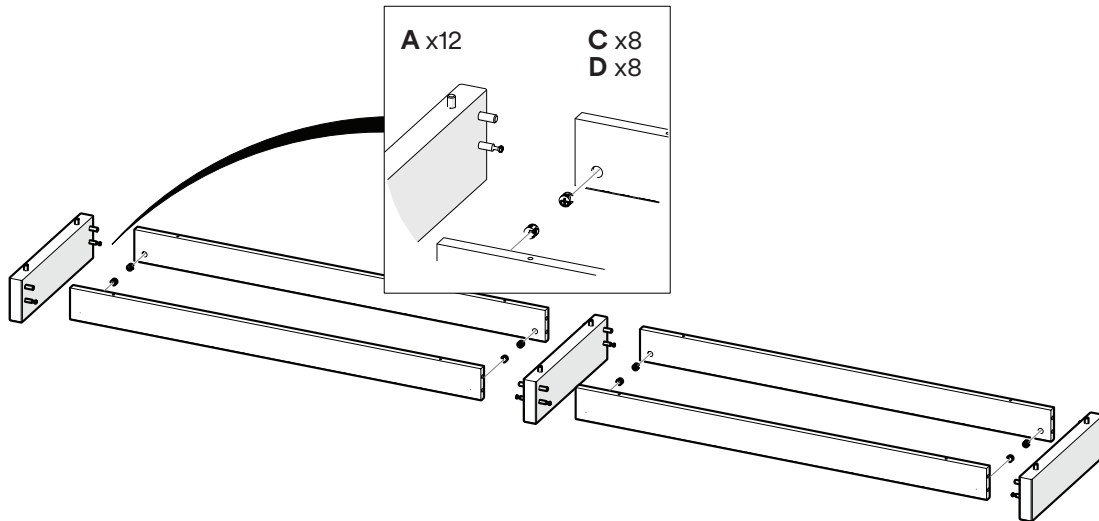
2



3



4



5

