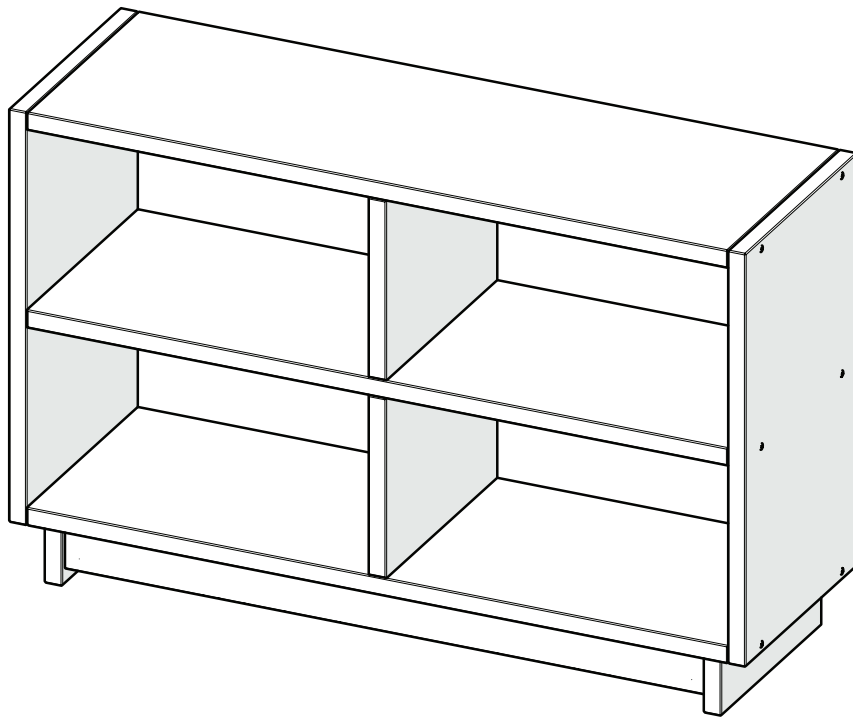


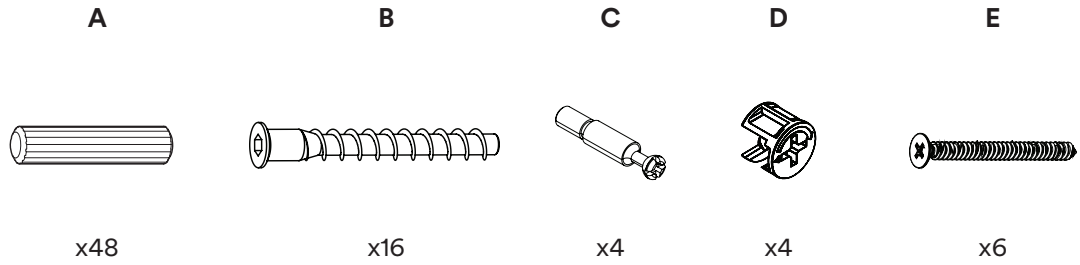
FYR BOOKCASE MEDIUM ASSEMBLY INSTRUCTIONS



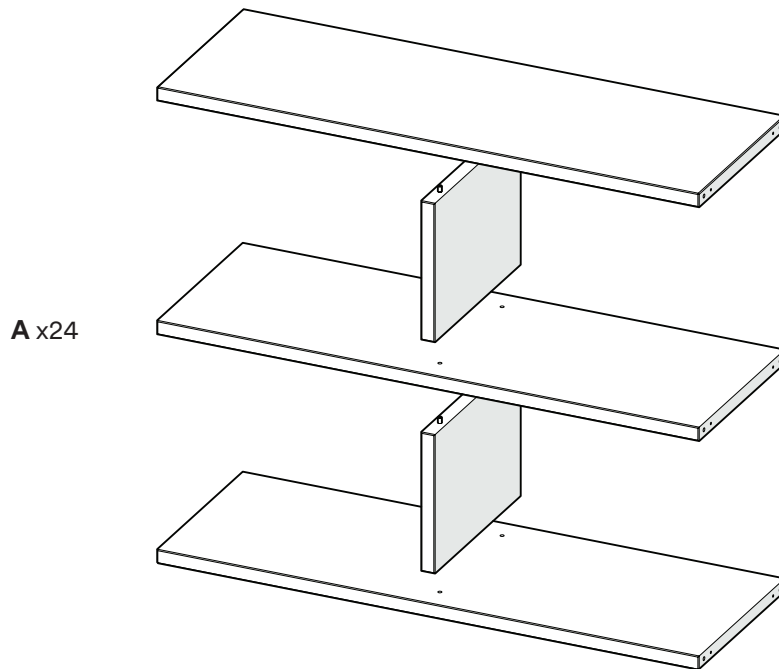
normann

C O P E N H A G E N

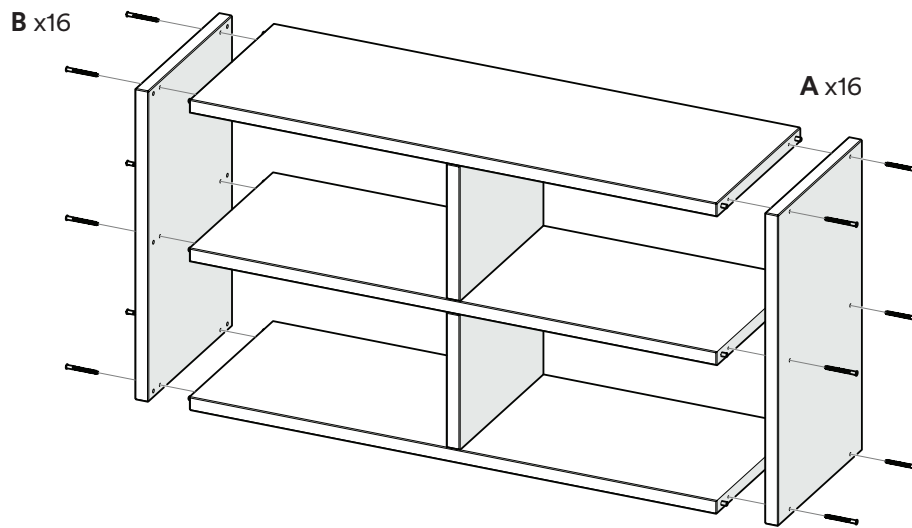
1



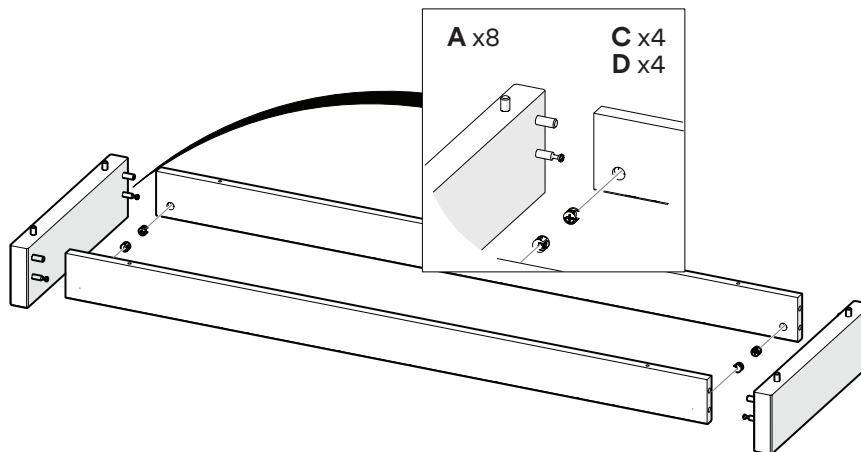
2



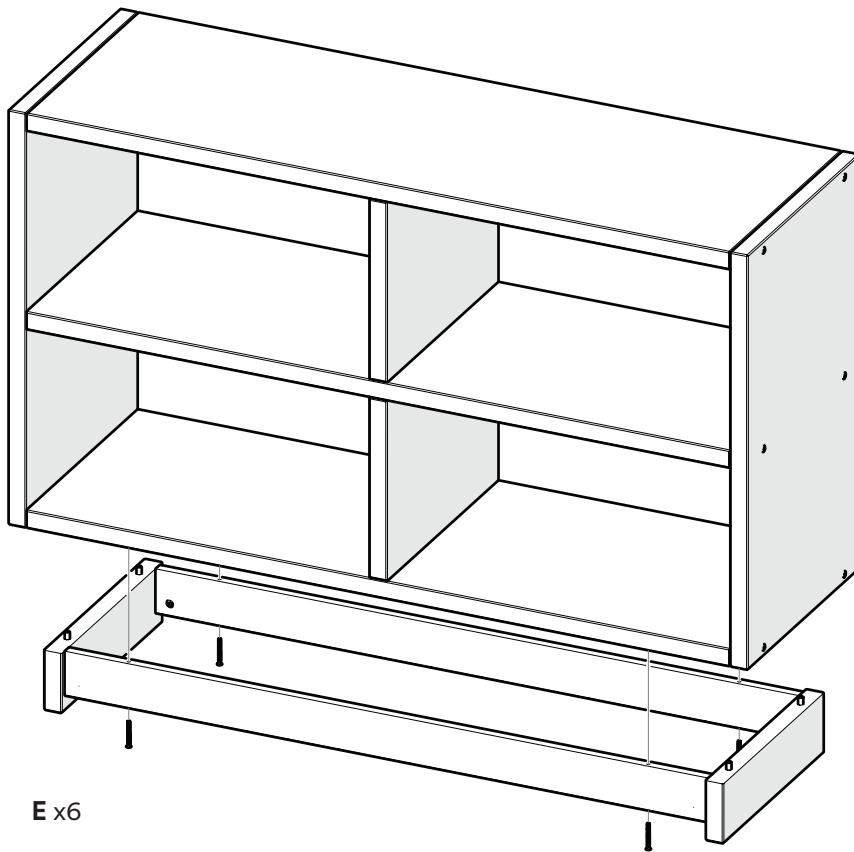
3



4



5



E x6

normann

C O P E N H A G E N