

101

C O P E N H A G E N



Toe Chair - Dark Brown

Designed by

Kristian Sofus Hansen &
Tommy Hyldahl

Toe Chair - Dark Brown

Product Description

The Toe Chair in Dark Brown is a tribute to 1970s space-age design, reinterpreted through a contemporary lens where furniture becomes sculpture and comfort becomes architecture. Defined by its expressive yet balanced form, it features thick fluted upholstery that flows seamlessly from seat to back, creating a voluminous silhouette with a calm, grounded presence.

The deep, dark brown colour enhances the chair's sculptural clarity with muted, earthy tones that unfold with quiet depth and steadiness. It evokes the stillness of dark soil after rain, the charcoal edge of smoked wood, and the soft shadows gathered beneath ancient trees. The result is a shade that feels both rooted and refined, carrying a subtle, understated elegance.

Upholstered in a medium to heavy weight woven textile, the fabric is designed for durability and everyday comfort. Its tight basket weave structure is formed from thick, slightly irregular yarns, creating a refined nubby surface with a natural, tweed-like character. The matte finish enhances the tactile expression of the weave while adding a grounded, sophisticated appearance that works across a wide range of interior settings.

Built for longevity, the fabric offers strong performance in both private homes and high-use environments such as hotels, lounges, and public spaces. Its robust construction ensures resilience without compromising comfort, while the textured surface adds visual depth and warmth to the chair's sculptural form.

Generously padded with carefully layered foam, the Toe Chair delivers a soft yet supportive seating experience, embracing the body within its flowing contours. The design balances softness and structure, allowing it to feel both inviting and architecturally precise.

As part of the Toe Series, the chair stands confidently on its own as a sculptural statement or as part of a larger modular landscape. More than seating, it is a fusion of form and feeling—where futuristic inspiration meets contemporary craftsmanship, and comfort is shaped into timeless design.

Designer Description

Tommy Hyldahl and Kristian Sofus Hansen intertwine their distinct sensibilities to create designs where storytelling, materiality, and timeless form meet in quiet harmony.

With a background in fashion, Tommy brings an intuitive eye for trends, colors, and textures. His process is one of layering histories, blending details and references from past design periods and reimagining them into something fresh and contemporary. Each collection unfolds as a narrative, evolving from concept to creation, with every element contributing to a greater story.

Kristian, who has lived and studied in Japan, seeks to unite Japanese aesthetics with Danish design, creating a characteristic twist on simplicity itself. His work is defined by the search for subtle, original details that elevate each piece with a unique signature. Drawing inspiration from art and sculpture, his creative process unfolds in new and exciting ways, always striving to craft designs that are both functional and timeless.

Together, they craft design that transcends time, poetic yet practical, expressive yet enduring.



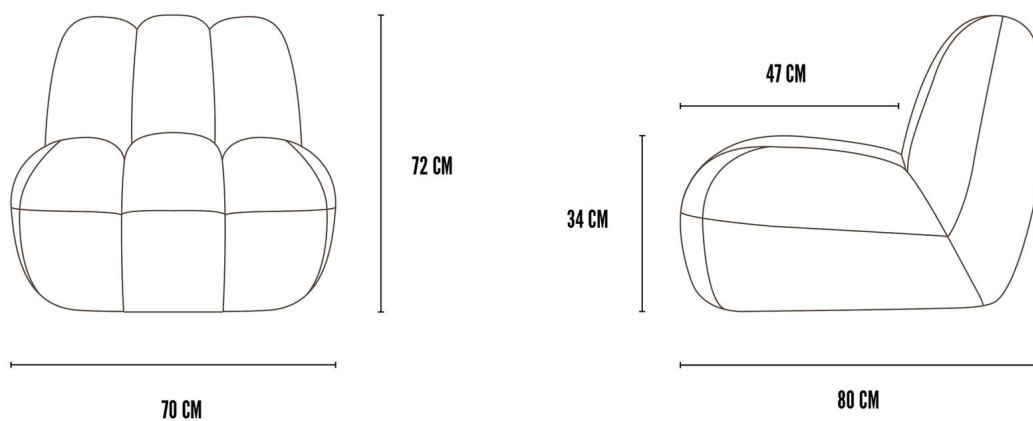
Toe Chair - Dark Brown

Main

SKU	263003	Product Family	Toe
Product name	Toe Chair - Dark Brown	Color	Dark Brown
Product Type	Lounge Chair	Size	Regular
		Unit	Piece

Logistics

EAN number	4251501415275	Package - CBM	0.610
Package height in cm	78.00	Package - Weight KG	48.000
Package width in cm	96.00	Tariff Code No	9401610000
Package length in cm	81.00	Country of origin	China
Suitable for Courier	No	Quantity of Inner Boxes	1



Toe Chair - Dark Brown

Product

Materials	Textured Upholstery Fabric	Net weight in kg	33
Item Height in cm	72.00	Space Suitability	Indoor
Item width in cm	80.00	Strength Test	L1
Item length in cm	70.00	FSC Wood	N/A

Upholstery

Fabric	Madeira 0222	Cigarette Test - CAL-117	Yes
Martindale	50.000	Cigarette Test - EN 1021-1	Yes
Colour Fastness to Light	4	Cigarette Test - BS5852 Part 1	Yes
Pilling	5.000 Rubs	Match Flame Test - EN 1021-2	No
Oeko Tex	Yes	Ignition Source 5 (Crib 5) - BS 5852 Part 2	No
Fire Test Foam	N/A	NF P92-507 - Class M1	No

Toe Chair - Dark Brown

Family Description Text

The Toe Series is more than a collection of lounge furniture. It is an ode to the bold optimism of the 1970s space age, reimagined for contemporary living. Here furniture becomes sculpture and comfort becomes a form of architecture. Thick, fluted upholstery flows across seamless forms like a soft rhythm, shaping generous volumes that feel both expressive and serene.

Defined by rounded geometries and sculptural proportions, the series shares a unified language of tactile softness and effortless comfort. Seats and backrests are shaped from layers of premium foam, creating flowing contours that gently embrace the body while maintaining a strong architectural presence.

Most pieces express the purity of the upholstered form, including the Toe Ottoman, Toe Lounge, Toe Armchair and Toe Flat. The Toe Armrest Chair and Toe Sofa Armrest introduce a contrasting architectural element through solid oak armrests for indoor settings or teak for outdoor environments. Formed from thick planks and shaped like subtle wings, they provide natural support for the hand while also serving as a practical resting surface for everyday essentials.

Together the Toe Series transforms interiors into spaces of imagination where the spirit of futurism meets contemporary craftsmanship. More than seating, it is comfort shaped into sculpture and design distilled into poetry.

Color Description

A deep, dark brown with muted, earthy tones, unfolding with a quiet sense of depth and steadiness. It evokes the stillness of dark soil after rain, the charcoal edge of smoked wood, and the calm shadows that gather beneath ancient trees. This shade carries a subtle elegance, grounded yet quietly expressive.

Toe Chair - Dark Brown

Maintenance Guide Description

This textured upholstery fabric is designed for durability and everyday use. With simple and regular care, the fabric will maintain its appearance and comfort over time.

To keep the surface clean, gently vacuum the fabric with a soft brush attachment on a low setting. This helps remove dust and prevents dirt from settling into the woven structure. Regular light cleaning will preserve the fabric's texture and fresh appearance.

If spills occur, blot immediately with a clean, dry cloth to absorb the liquid. Avoid rubbing the fabric, as this may push the stain deeper into the weave or disturb the surface texture. For light marks, a slightly damp cloth and a mild upholstery cleaner may be used. Always test cleaning products on a small, hidden area first.

Avoid harsh chemicals, bleach, or abrasive cleaning tools that may damage the fibers. To maintain an even appearance, rotate cushions or seating areas when possible and keep the furniture away from prolonged direct sunlight.

For deeper cleaning or persistent stains, professional upholstery cleaning is recommended to preserve the fabric's structure and texture. With regular care, this durable woven fabric will continue to perform beautifully in both private homes and high use environments such as hotels and lounges.

Materials Description

This upholstery fabric is a medium to heavy weight woven textile designed for durability and everyday comfort. Its tight basket weave structure is formed by thick, slightly irregular yarns that create a subtle nubby surface, giving the fabric a natural, tweed like character with a refined tactile quality.

The matte finish enhances the fabric's texture and gives it a grounded, sophisticated appearance that complements a wide range of furniture designs. The weave creates visual depth while maintaining a calm and understated character.

Thanks to its strong construction and durable surface, the fabric is well suited for furniture in private homes as well as high use environments such as hotels, lounges, and public spaces where resilience and long lasting performance are essential.

With its textured surface and robust character, this fabric offers a balance of practicality, comfort, and timeless versatility for contemporary upholstery.