

# 101

C O P E N H A G E N



## **Toe Chair - Off White (CPH 900)**

Designed by

Kristian Sofus Hansen &  
Tommy Hyldahl

# Toe Chair - Off White (CPH 900)

---

## Product Description

A tribute to 70s futuristic design and space age, Toe is a lounge chair with expressive aesthetics and high seating comfort.

Characterized by a sculptural approach to furniture design, the Toe Chair has a thick fluted upholstery running from seat to back, creating a linear and voluminous shape. The open chair form gives a free and easy seating experience, while the special combination of different kinds of foam ensures an overall high seating comfort.

Upholstered in Bouclé, the lounge chair offers a adds a chic and tactile feeling. With its striking silhouette and seamless, thick upholstery, the Toe Lounge Chair combines voluminous comfort with a minimalist aesthetic. A sculptural centrepiece in any room, the chair is crafted with meticulous attention to detail, embodying the luxurious artistry of modern craftsmanship paired with the bold aesthetics of the 70s space age.

An expertly balanced blend of premium foams provides superior seating comfort, making it a truly inviting piece for any lounge or living room.

## Designer Description

Tommy Hyldahl and Kristian Sofus Hansen intertwine their distinct sensibilities to create designs where storytelling, materiality, and timeless form meet in quiet harmony.

With a background in fashion, Tommy brings an intuitive eye for trends, colors, and textures. His process is one of layering histories, blending details and references from past design periods and reimagining them into something fresh and contemporary. Each collection unfolds as a narrative, evolving from concept to creation, with every element contributing to a greater story.

Kristian, who has lived and studied in Japan, seeks to unite Japanese aesthetics with Danish design, creating a characteristic twist on simplicity itself. His work is defined by the search for subtle, original details that elevate each piece with a unique signature. Drawing inspiration from art and sculpture, his creative process unfolds in new and exciting ways, always striving to craft designs that are both functional and timeless.

Together, they craft design that transcends time, poetic yet practical, expressive yet enduring.



## Toe Chair - Off White (CPH 900)

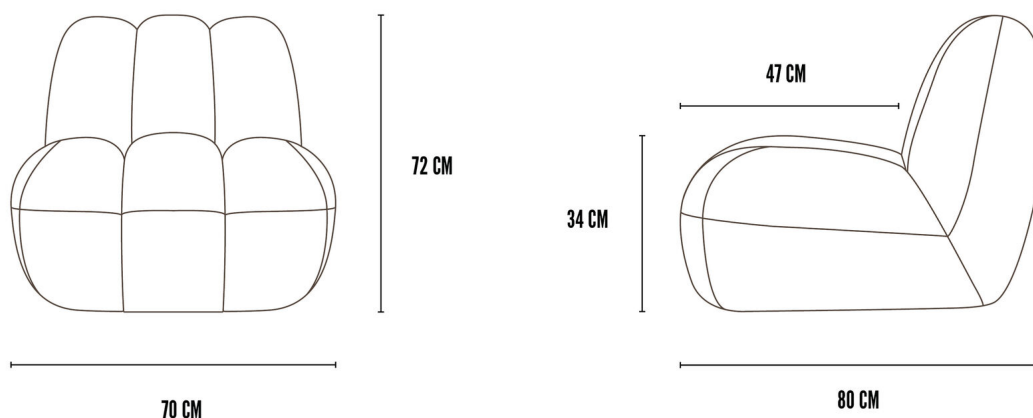
---

### Main

SKU	223015	Product Family	Toe
Product name	Toe Chair - Off White (CPH 900)	Color	Off White (CPH 900)
Product Type	Lounge Chair	Size	Regular
		Unit	Piece

### Logistics

EAN number	4251501407768	Package - CBM	0.510
Package height in cm	74.00	Package - Weight KG	28.000
Package width in cm	77.00	Tariff Code No	9401610000
Package length in cm	92.00	Country of origin	China
Suitable for Courier	No	Quantity of Inner Boxes	1



## Toe Chair - Off White (CPH 900)

---

### Product

Materials	Bouclé	Net weight in kg	23
Item Height in cm	72.00	Space Suitability	
Item width in cm	80.00	Strength Test	No
Item length in cm	70.00	FSC Wood	No

### Upholstery

Fabric	Copenhagen 900	Cigarette Test - CAL-117	No
Martindale	100.000	Cigarette Test - EN 1021-1	No
Colour Fastness to Light	4	Cigarette Test - BS5852 Part 1	Yes
Pilling	5.000 Rubs	Match Flame Test - EN 1021-2	No
Oeko Tex	N/A	Ignition Source 5 (Crib 5) - BS 5852 Part 2	No
Fire Test Foam	CAL-117	NF P92-507 - Class M1	No

## Toe Chair - Off White (CPH 900)

---

### Family Description Text

The Toe Series is more than a collection of lounge furniture. It is an ode to the bold optimism of the 1970s space age, reimagined for contemporary living. Here furniture becomes sculpture and comfort becomes a form of architecture. Thick, fluted upholstery flows across seamless forms like a soft rhythm, shaping generous volumes that feel both expressive and serene.

Defined by rounded geometries and sculptural proportions, the series shares a unified language of tactile softness and effortless comfort. Seats and backrests are shaped from layers of premium foam, creating flowing contours that gently embrace the body while maintaining a strong architectural presence.

Most pieces express the purity of the upholstered form, including the Toe Ottoman, Toe Lounge, Toe Armchair and Toe Flat. The Toe Armrest Chair and Toe Sofa Armrest introduce a contrasting architectural element through solid oak armrests for indoor settings or teak for outdoor environments. Formed from thick planks and shaped like subtle wings, they provide natural support for the hand while also serving as a practical resting surface for everyday essentials.

Together the Toe Series transforms interiors into spaces of imagination where the spirit of futurism meets contemporary craftsmanship. More than seating, it is comfort shaped into sculpture and design distilled into poetry.

### Color Description

A soft, light, and warm grey base enriched with off-white highlights in the boucle weave. The gentle variation adds warmth, softness, and inviting dimension.

### Maintenance Guide Description

Bouclé's looped yarns give it its charm but also require mindful care. Vacuum the upholstery regularly with a soft brush attachment to remove dust and prevent dirt from settling between the loops. To protect the fabric, avoid contact with sharp objects or rough clothing that may snag the fibers.

In the event of spills, gently blot with a clean, dry cloth never rub, as this may distort the loops or spread the stain. For light soiling, use a mild upholstery cleaner suitable for synthetic fabrics and always test on a hidden area first. Professional upholstery cleaning is recommended for deeper maintenance.

Keep bouclé furniture away from direct sunlight to prevent fading, and avoid prolonged exposure to moisture. With simple care, bouclé will maintain its softness, texture, and inviting comfort for years to come.

### Materials Description

Bouclé is a distinctive fabric woven from looped yarns that create its signature soft, tactile texture. Crafted from 100% PES (polyester), it combines luxurious comfort with excellent durability, making it perfectly suited for upholstered furniture. The nubby surface adds visual depth and a cozy, inviting feel, ideal for living rooms, bedrooms, or any space where warmth and style meet. With its unique blend of softness and resilience, bouclé remains a timeless choice designed to endure everyday use.