

101

C O P E N H A G E N



Toe Chair - Sandshell (Sheepskin)

Designed by

Kristian Sofus Hansen &
Tommy Hyldahl

Toe Chair - Sandshell (Sheepskin)

Product Description

A tribute to 70s futuristic design and space age, the Toe Chair is a lounge chair with expressive aesthetics and high seating comfort.

Characterized by a sculptural approach to furniture design, the Toe Chair has a thick fluted upholstery running from seat to back, creating a linear and voluminous shape. The open chair form gives a free and easy seating experience, while the special combination of different kinds of foam ensures an overall high seating comfort.

Upholstered in luxurious Sandshell Sheepskin, the lounge chair exudes subtle, earthy elegance, offering a rich texture and warm tone that elevate the design with a touch of natural luxury. Carefully selected for its superior quality and aesthetic appeal, Sandshell Sheepskin enhances the Toe Chair's signature form, ensuring that each chair is not only visually striking but also invitingly cozy.

The Toe Chair makes a striking statement in both private living spaces and public interiors. Its sculptural form and inviting sheepskin upholstery allow it to stand alone as a centerpiece or be paired in groups for a cohesive lounge setting. Whether styled in a contemporary home, a reading corner, or a sophisticated hotel lobby, the chair brings a unique blend of retro-inspired aesthetics and modern comfort.

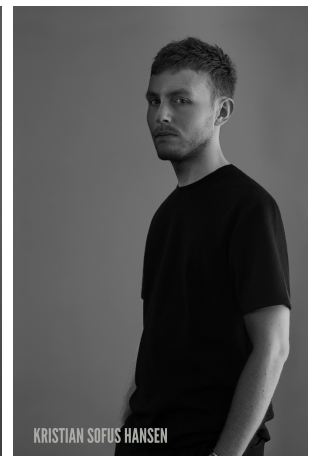
Designer Description

Tommy Hyldahl and Kristian Sofus Hansen intertwine their distinct sensibilities to create designs where storytelling, materiality, and timeless form meet in quiet harmony.

With a background in fashion, Tommy brings an intuitive eye for trends, colors, and textures. His process is one of layering histories, blending details and references from past design periods and reimagining them into something fresh and contemporary. Each collection unfolds as a narrative, evolving from concept to creation, with every element contributing to a greater story.

Kristian, who has lived and studied in Japan, seeks to unite Japanese aesthetics with Danish design, creating a characteristic twist on simplicity itself. His work is defined by the search for subtle, original details that elevate each piece with a unique signature. Drawing inspiration from art and sculpture, his creative process unfolds in new and exciting ways, always striving to craft designs that are both functional and timeless.

Together, they craft design that transcends time, poetic yet practical, expressive yet enduring.



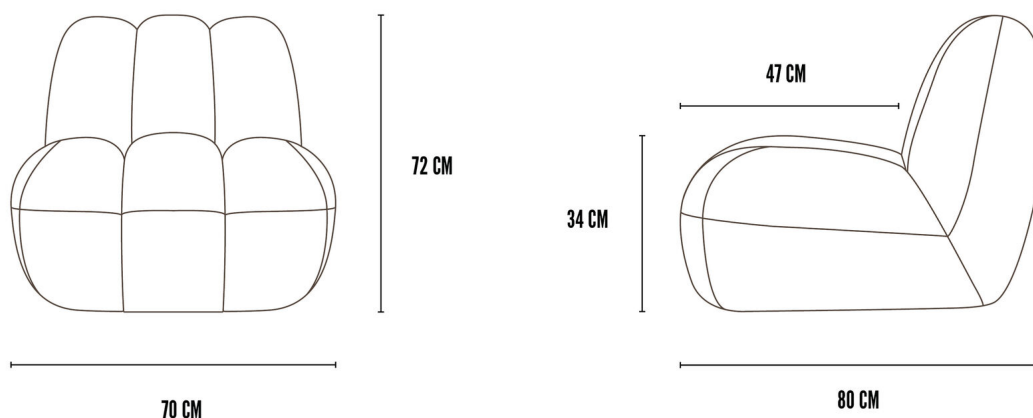
Toe Chair - Sandshell (Sheepskin)

Main

SKU	244003	Product Family	Toe
Product name	Toe Chair - Sandshell (Sheepskin)	Color	Sandshell
Product Type	Lounge Chair	Size	Regular
		Unit	Piece

Logistics

EAN number	4251501412076	Package - CBM	0.510
Package height in cm	74.00	Package - Weight KG	28.000
Package width in cm	77.00	Tariff Code No	9401610000
Package length in cm	92.00	Country of origin	China
Suitable for Courier	No	Quantity of Inner Boxes	1



Toe Chair - Sandshell (Sheepskin)

Product

Materials	Merino Sheepskin	Net weight in kg	23
Item Height in cm	72.00	Space Suitability	Indoor
Item width in cm	80.00	Strength Test	No
Item length in cm	70.00	FSC Wood	No

Upholstery

Fabric	Sandshell (Sheepskin)	Cigarette Test - CAL-117	Yes
Martindale	50.000	Cigarette Test - EN 1021-1	No
Colour Fastness to Light	N/A	Cigarette Test - BS5852 Part 1	No
Pilling	N/A	Match Flame Test - EN 1021-2	No
Oeko Tex	Yes	Ignition Source 5 (Crib 5) - BS 5852 Part 2	No
Fire Test Foam	CAL-117	NF P92-507 - Class M1	No

Toe Chair - Sandshell (Sheepskin)

Family Description Text

The Toe Series is more than a collection of lounge furniture. It is an ode to the bold optimism of the 1970s space age, reimagined for contemporary living. Here furniture becomes sculpture and comfort becomes a form of architecture. Thick, fluted upholstery flows across seamless forms like a soft rhythm, shaping generous volumes that feel both expressive and serene.

Defined by rounded geometries and sculptural proportions, the series shares a unified language of tactile softness and effortless comfort. Seats and backrests are shaped from layers of premium foam, creating flowing contours that gently embrace the body while maintaining a strong architectural presence.

Most pieces express the purity of the upholstered form, including the Toe Ottoman, Toe Lounge, Toe Armchair and Toe Flat. The Toe Armrest Chair and Toe Sofa Armrest introduce a contrasting architectural element through solid oak armrests for indoor settings or teak for outdoor environments. Formed from thick planks and shaped like subtle wings, they provide natural support for the hand while also serving as a practical resting surface for everyday essentials.

Together the Toe Series transforms interiors into spaces of imagination where the spirit of futurism meets contemporary craftsmanship. More than seating, it is comfort shaped into sculpture and design distilled into poetry.

Color Description

A naturally warm sandy beige with unique tonal variations in the wool. The organic shifts in shade give the sheepskin depth and a gentle, inviting character.

Toe Chair - Sandshell (Sheepskin)

Maintenance Guide Description

Sheepskin is a natural material prized for its softness, warmth, and luxurious texture. To maintain its beauty, shake or gently brush the surface regularly with a soft pet brush to restore the natural pile and prevent matting. Vacuum occasionally with a low-suction setting and a plain nozzle attachment avoid rotating brushes, which can damage the fibers.

For spills, act quickly: blot with a clean, dry cloth to absorb as much liquid as possible. Avoid rubbing, as this can push moisture deeper into the hide. Allow the area to air-dry naturally, away from direct heat or sunlight. For light soiling, use a damp cloth with lukewarm water and gently dab the area; for more persistent stains, professional cleaning by a specialist in sheepskin is recommended.

Keep sheepskin upholstery away from direct sunlight to prevent fading, and avoid excessive humidity or dampness to protect the hide. With regular care, sheepskin will retain its natural comfort, softness, and timeless appeal for many years.

Materials Description

Renowned for its natural softness, warmth, and lasting durability, Merino sheepskin from New Zealand brings both comfort and refinement to any interior. Its dense, silky pile creates a plush, supportive texture, while the timeless aesthetic lends subtle luxury and depth. Over time, this living material develops a rich character, balancing practicality with enduring elegance.

The finely crimped Merino wool produces a luxuriously soft yet resilient fleece, designed to feel both inviting and supportive. Crafted to the highest production standards and certified mule sing-free, this sheepskin reflects a commitment to both quality and animal welfare. Naturally enriched with lanolin, the wool carries a protective and self-cleansing quality, making it as easy to care for as it is beautiful.