

101

C O P E N H A G E N



Toe Chair - Linen

Designed by

Kristian Sofus Hansen &
Tommy Hyldahl

Toe Chair - Linen

Product Description

A tribute to 70s futuristic design and space age, the Toe Chair is a lounge chair with expressive aesthetics and high seating comfort.

Characterized by a sculptural approach to furniture design, the Toe Chair has a thick fluted upholstery running from seat to back, creating a linear and voluminous shape. The open chair form gives a free and easy seating experience, while the special combination of different kinds of foam ensures an overall high seating comfort.

Upholstered in a natural sand colour linen, the lounge chair offers a refined yet textured appearance that beautifully complements the chair's minimalist aesthetic. Produced in Northern France, the linen fibers are of highest quality, adding to the luxurious feeling of the chunky chair. The coarse weave gives the textile a rough look with a rich texture.

With its striking silhouette and seamless, thick upholstery, the Toe Lounge Chair combines voluminous comfort with a minimalist aesthetic. A sculptural centerpiece in any room, the chair is crafted with meticulous attention to detail, embodying the luxurious artistry of modern craftsmanship paired with the bold aesthetics of the 70s space age. An expertly balanced blend of premium foams provides superior seating comfort, making it a truly inviting piece for any lounge or living room.

Designer Description

Tommy Hyldahl and Kristian Sofus Hansen intertwine their distinct sensibilities to create designs where storytelling, materiality, and timeless form meet in quiet harmony.

With a background in fashion, Tommy brings an intuitive eye for trends, colors, and textures. His process is one of layering histories, blending details and references from past design periods and reimagining them into something fresh and contemporary. Each collection unfolds as a narrative, evolving from concept to creation, with every element contributing to a greater story.

Kristian, who has lived and studied in Japan, seeks to unite Japanese aesthetics with Danish design, creating a characteristic twist on simplicity itself. His work is defined by the search for subtle, original details that elevate each piece with a unique signature. Drawing inspiration from art and sculpture, his creative process unfolds in new and exciting ways, always striving to craft designs that are both functional and timeless.

Together, they craft design that transcends time, poetic yet practical, expressive yet enduring.



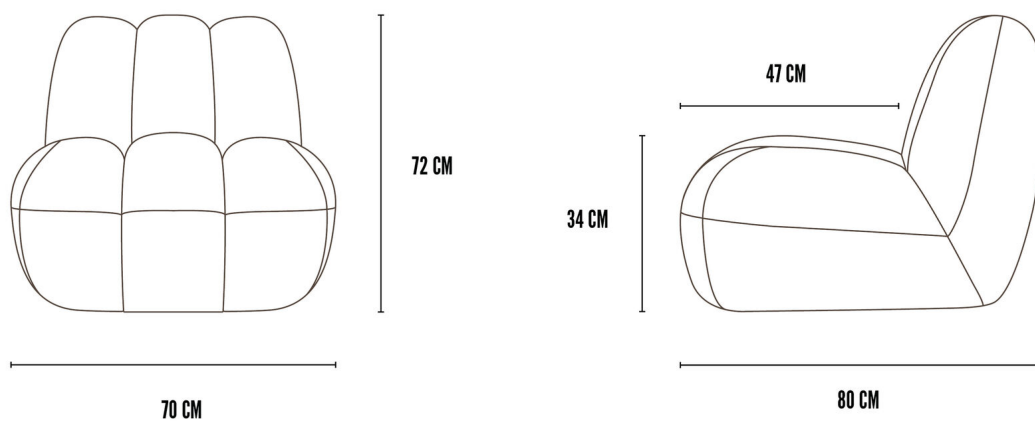
Toe Chair - Linen

Main

SKU	244001	Product Family	Toe
Product name	Toe Chair - Linen	Color	Sand (8047-2)
Product Type	Lounge Chair	Size	Regular
		Unit	Piece

Logistics

EAN number	4251501412113	Package - CBM	0.510
Package height in cm	74.00	Package - Weight KG	28.000
Package width in cm	77.00	Tariff Code No	9401610000
Package length in cm	92.00	Country of origin	China
Suitable for Courier	No	Quantity of Inner Boxes	1



Toe Chair - Linen

Product

Materials	Linen	Net weight in kg	23
Item Height in cm	72.00	Space Suitability	Indoor
Item width in cm	80.00	Strength Test	No
Item length in cm	70.00	FSC Wood	No

Upholstery

Fabric	Linen 8047-2	Cigarette Test - CAL-117	No
Martindale	18.000	Cigarette Test - EN 1021-1	No
Colour Fastness to Light	N/A	Cigarette Test - BS5852 Part 1	No
Pilling	N/A	Match Flame Test - EN 1021-2	No
Oeko Tex	N/A	Ignition Source 5 (Crib 5) - BS 5852 Part 2	No
Fire Test Foam	CAL-117	NF P92-507 - Class M1	No

Toe Chair - Linen

Family Description Text

The Toe Series is more than a collection of lounge furniture. It is an ode to the bold optimism of the 1970s space age, reimagined for contemporary living. Here furniture becomes sculpture and comfort becomes a form of architecture. Thick, fluted upholstery flows across seamless forms like a soft rhythm, shaping generous volumes that feel both expressive and serene.

Defined by rounded geometries and sculptural proportions, the series shares a unified language of tactile softness and effortless comfort. Seats and backrests are shaped from layers of premium foam, creating flowing contours that gently embrace the body while maintaining a strong architectural presence.

Most pieces express the purity of the upholstered form, including the Toe Ottoman, Toe Lounge, Toe Armchair and Toe Flat. The Toe Armrest Chair and Toe Sofa Armrest introduce a contrasting architectural element through solid oak armrests for indoor settings or teak for outdoor environments. Formed from thick planks and shaped like subtle wings, they provide natural support for the hand while also serving as a practical resting surface for everyday essentials.

Together the Toe Series transforms interiors into spaces of imagination where the spirit of futurism meets contemporary craftsmanship. More than seating, it is comfort shaped into sculpture and design distilled into poetry.

Color Description

Sand is named for its warmth but in appearance is closer to the true natural color of raw linen. With a soft, undyed beige-grey tone, it reflects the fabric in its pure state. Subtle variations in shade add organic depth, while the raw finish gives it an understated, timeless elegance.

Maintenance Guide Description

Linen upholstery is a natural, durable fabric that softens beautifully with time. To maintain its appearance, vacuum the surface regularly with a soft brush attachment to remove dust and prevent particles from embedding in the weave. In case of spills, blot gently with a clean, dry cloth never rub, as this may spread the stain or damage the fibers. For stubborn marks, use a mild fabric-specific upholstery cleaner and always test on an inconspicuous area first. Professional upholstery cleaning is recommended for a deeper refresh when needed. Protect the fabric from direct sunlight to prevent fading and avoid prolonged exposure to moisture. With thoughtful care, linen upholstery will preserve its natural elegance, warmth, and comfort for years to come.

Materials Description

100% Linen is a natural fiber celebrated for its exceptional durability and timeless beauty. Strong and resistant to wear, it is designed to endure while retaining its elegance. Soft to the touch with a subtle, tactile texture, linen adds depth and visual interest to any interior. Its organic character and natural warmth bring a sense of comfort and authenticity, making it a fabric that grows more beautiful with use and time.