

Instructions

Rombe Cabinet Shelf Industrial Facility 2025



Please read these instructions carefully and retain them for future reference to ensure the product is used correctly. For your own safety, please study each step of this instruction manual first. &Tradition is not responsible for any faults or damage caused by not following these instructions correctly. Do not modify this product in any way. If you have any questions or comments, please do not hesitate to contact us by mail on: info@andtradition.com

&Tradition[®]

Rombe Cabinet Shelf Industrial Facility 2025

A



Safety precautions

- Please refer to the primary Rombe instruction manual for additional guidance.
- Keep the packaging out of reach of children.
- Ensure all components are securely attached.
- This product is intended for indoor use only.
- Do not put a TV on this product.
- Place heavier items on the lowest shelves.
- Maximum weight capacity is 15kg / 33lbs
- Handle with care as damaged edges or scratches can cause glass shelves to crack or break.

Contents

- A Cabinet Shelf

Tools needed

- Allen Key (3.0mm)

Cleaning instructions

Powder-coated aluminium and steel

For daily care, it is recommended to dust the surface with a soft, dry cloth. Powder-coated surfaces can also be cleaned with a soft cloth wrung in a mild solution of lukewarm water and a universal cleaning detergent. Avoid abrasive cleaning agents or aggressive cleaning detergents as this may permanently damage the surface. Always dry immediately afterwards with a clean, dry cloth.

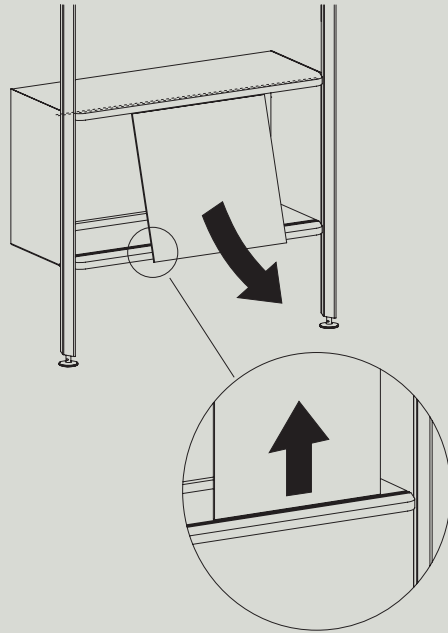
Step 1 / 5

To install the cabinet shelf, first remove the glass doors from the cabinet carefully.

Start by lifting the glass up from the lower rail. Rotate it slightly and remove it from the cabinet. Place it on a soft, flat surface.

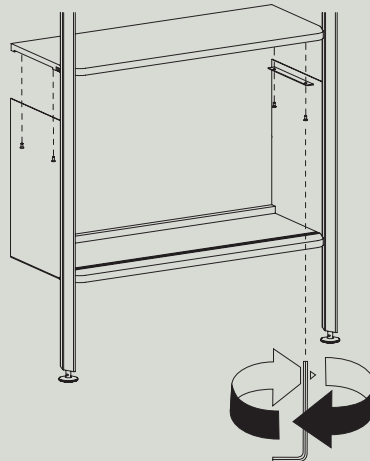
Repeat this step for the second door.

IMPORTANT: Handle with care as damaged edges or scratches can cause glass shelves to crack or break.



Step 2 / 5

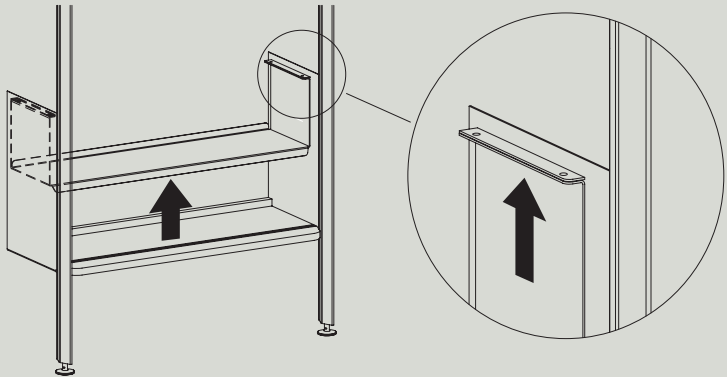
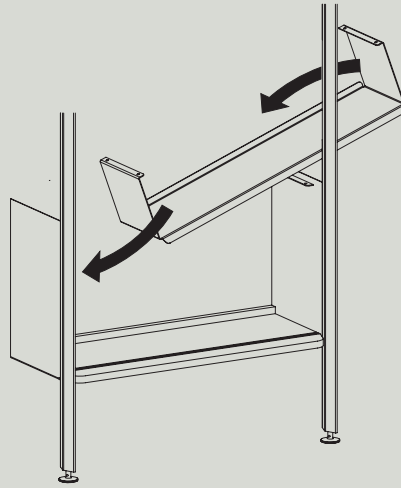
Next, remove the cabinet top by unscrewing the countersunk head screws from underneath, turning them counterclockwise.



Step 3 / 5

Slide in the cabinet shelf (A) in between the two side panels from the top.

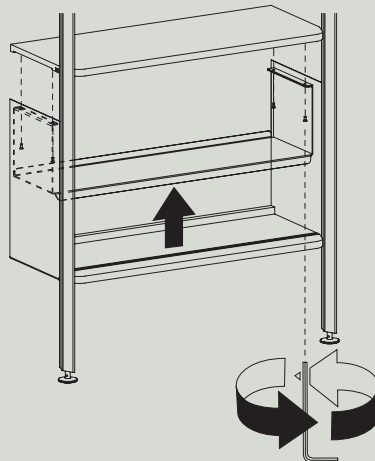
Position the shelf just below the brackets on either side of the side panels as per the illustration.



Step 4 / 5

Attach the cabinet top by resting it on top of the side panels again.

Secure in place with short flat head screws from below as pictured to secure both the cabinet shelf and cabinet top in place.



Step 5 / 5

Finally, add the glass doors to the cabinet.

Start by inserting the first glass door into the top rail and gently push it all the way up. Then, place the bottom edge above the bottom rail and carefully lower the glass panel into place.

Repeat this step for the second door using the other rail.

IMPORTANT: Handle with care as damaged edges or scratches can cause glass shelves to crack or break.

IMPORTANT: Make sure all screws of the cabinet are tightened firmly.

