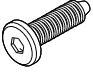


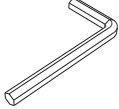
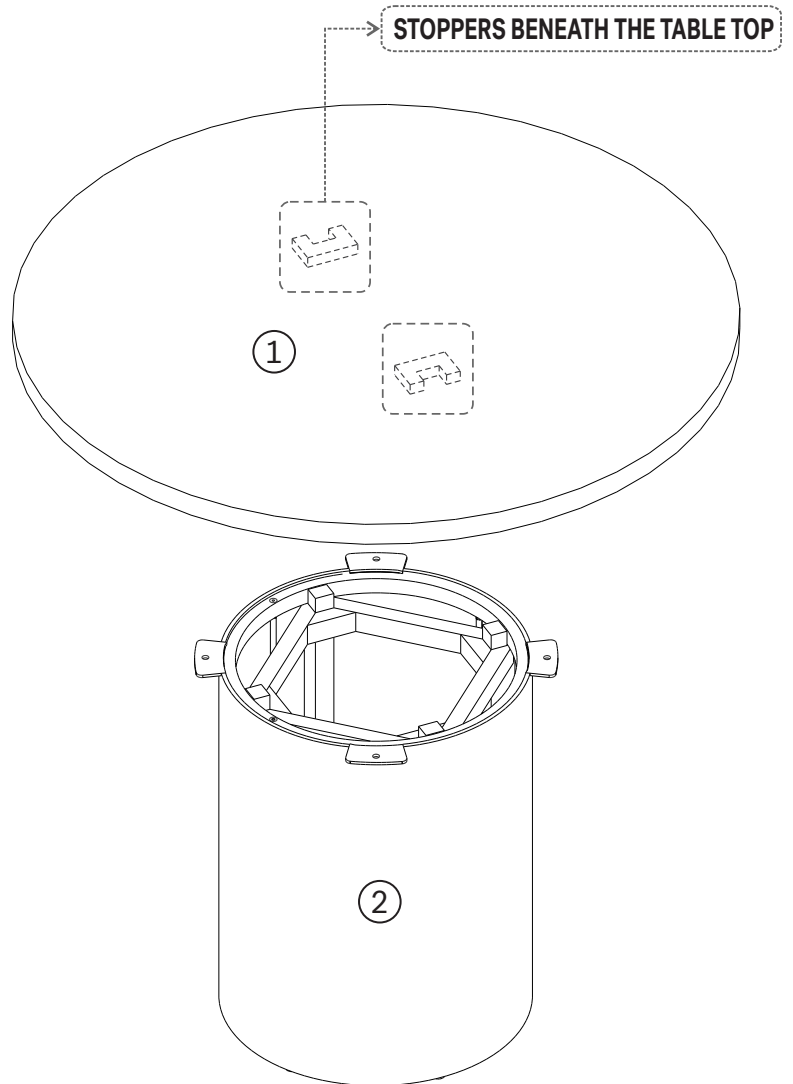
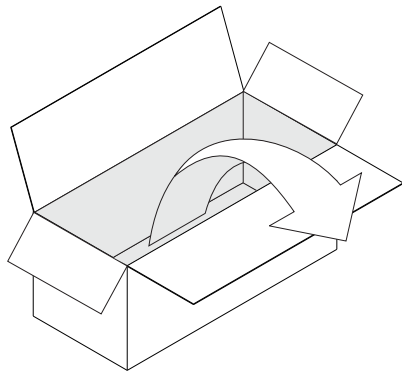


11216 ROLLER MAX OUTDOOR DINING TABLE ASSEMBLY INSTRUCTIONS FOR DINING TABLE INSTALLATION



HARDWARE & TOOL ENCLOSED

 JCBC SCREW M6x20 (4pcs)	 WASHER M6 (4pcs)	 SPRING WASHER M6 (4pcs)	 ALLEN KEY
---	--	---	---



IN YOUR PACKAGE :

ASSEMBLY INSTRUCTIONS
HARDWARE (AS LISTED ABOVE)

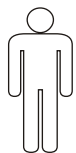
PARTS TO BE INSTALLED

1. TABLE TOP (1 pc)
2. LEG BASE (1 pc)

SYMBOLS



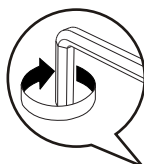
DIRECTION



NUMBER OF
PERSONS NEEDED

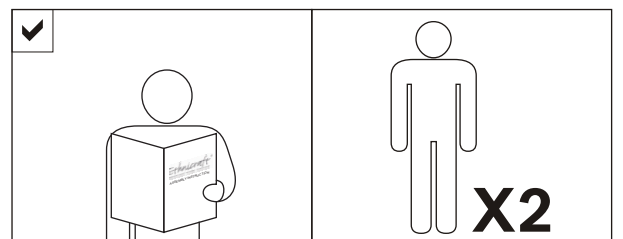


USE HAND



USE ALLEN KEY
TO TIGHTEN

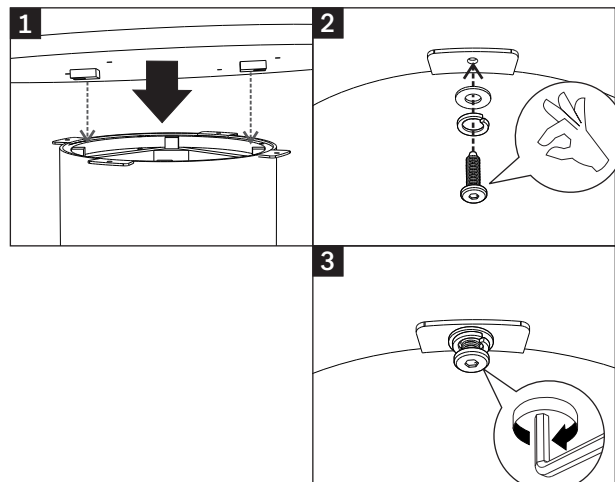
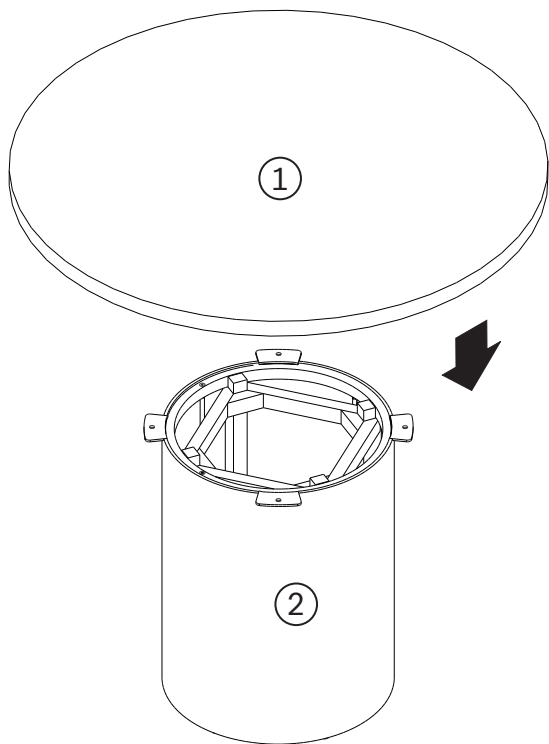
NOTICE



11216 ROLLER MAX OUTDOOR DINING TABLE ASSEMBLY INSTRUCTIONS FOR DINING TABLE INSTALLATION

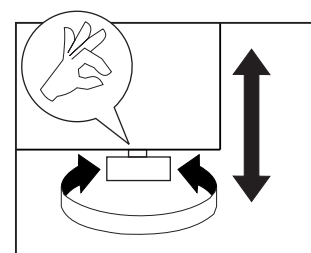
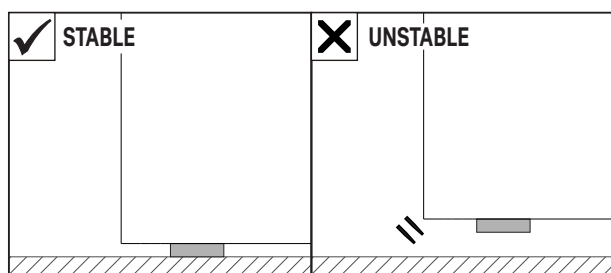
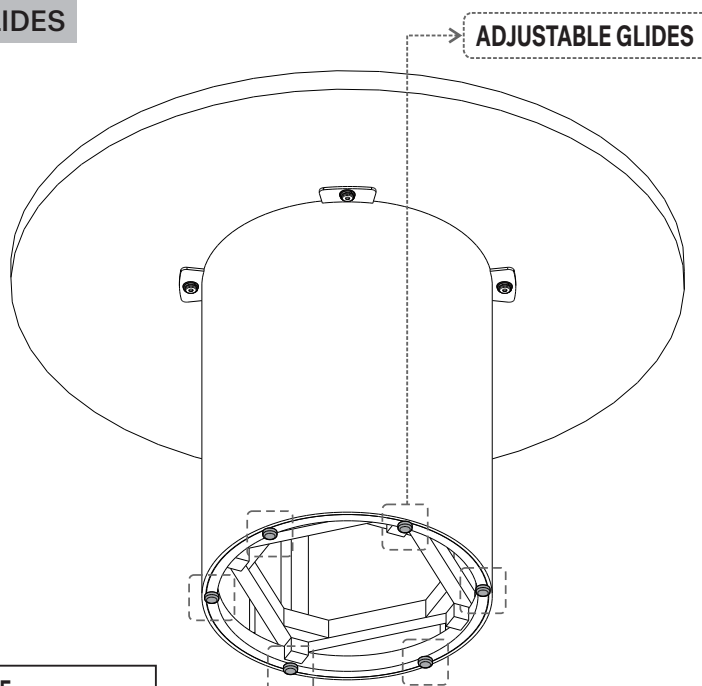
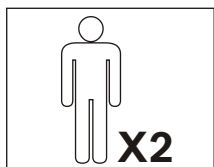


A ATTACHING TABLE TOP TO LEG BASE



- ALIGN STOPPERS ON UNDERSIDE OF TABLE TOP WITH THE LEG BASE
- USE JCBC SCREW M6x20 (X4)
- USE SPRING WASHER M6 (X4)
- USE WASHER M6 (X4)
- TIGHTEN FULLY

B MODIFY THE ADJUSTABLE GLIDES



NOTE :
TO ENSURE STABILITY, ALL GLIDES SHOULD BE ADJUSTED TO MAKE EVEN CONTACT WITH THE SURFACE UNDERFOOT.