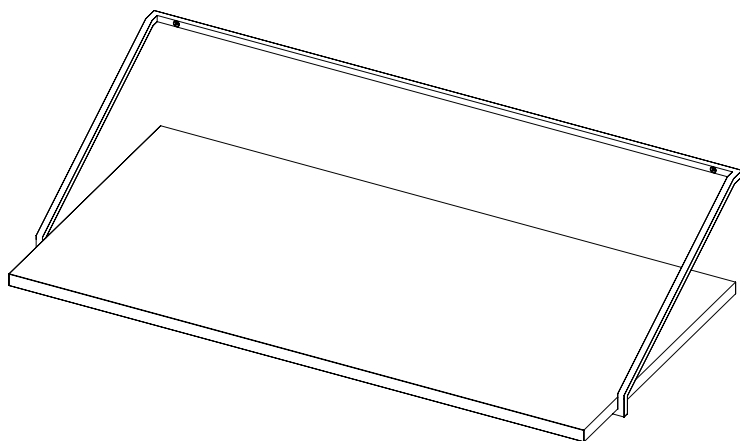


Rail Collection

by Keiji Ashizawa



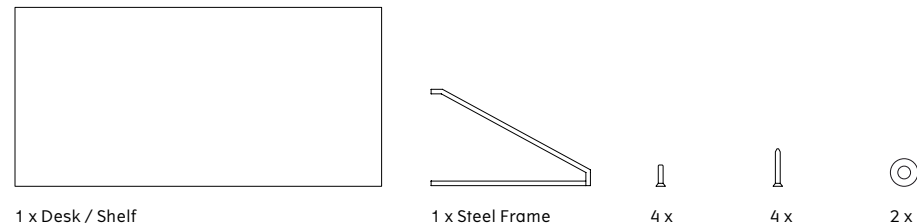
MENU

Congratulations on your Rail Desk or Rail Shelf designed by Keiji Ashizawa.

We hope you will enjoy using this item and follow these instructions to ensure correct assembly. These instructions are provided for your safety.

It is important that the instructions are read carefully and completely before assembling.

COMPONENT OVERVIEW



IMPORTANT INFORMATION

CAUTION

Use screws and wall plugs that are suitable for the walls in your home. If you are uncertain as to which types of screws/wall plugs to use, you should ask your DIY store.

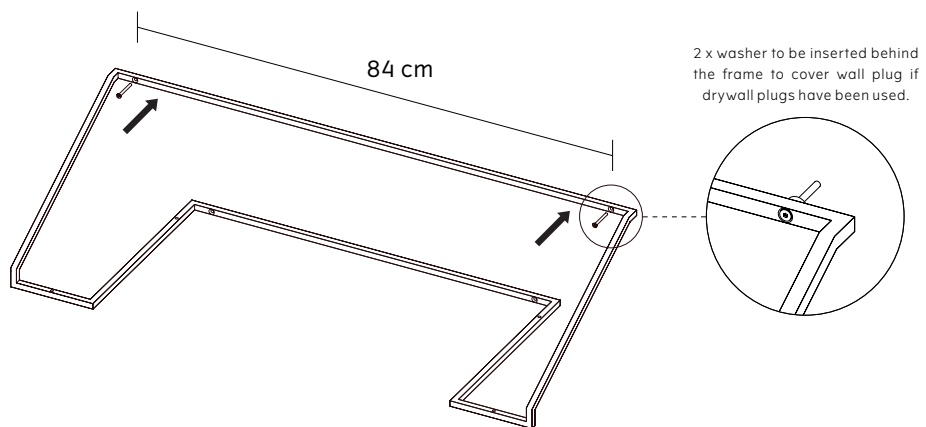
If the **Rail Shelf** is mounted according to the assembly instruction, and the recommendations of screws and wall plugs, it can handle up to 15 kg.

If the **Rail Desk** is mounted according to the assembly instruction, and the recommendations of screws and wall plugs, it can handle up to 80 kg.

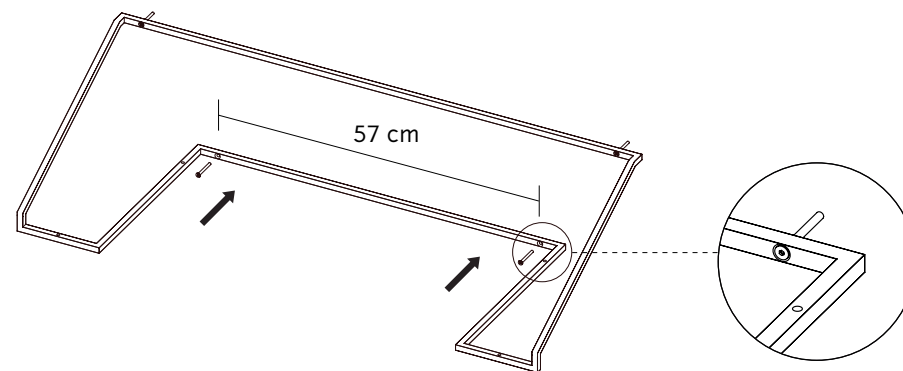
CARE AND MAINTENANCE

Please see care instructions on www.menuspace.com

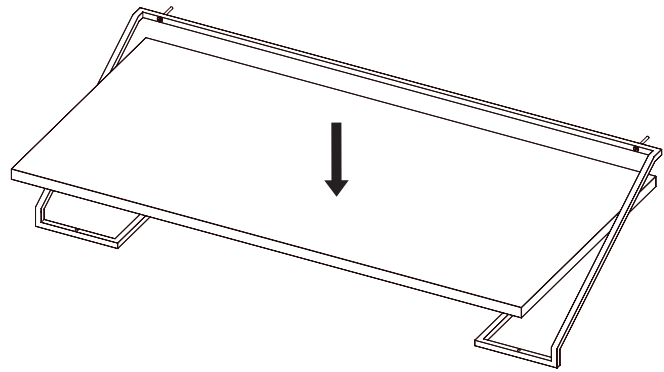
1



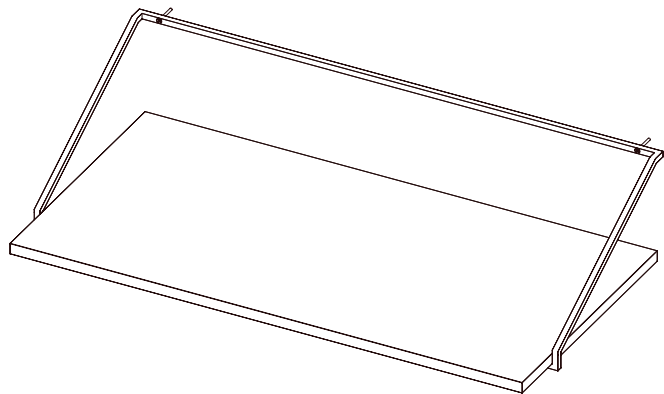
2



3



4



5

