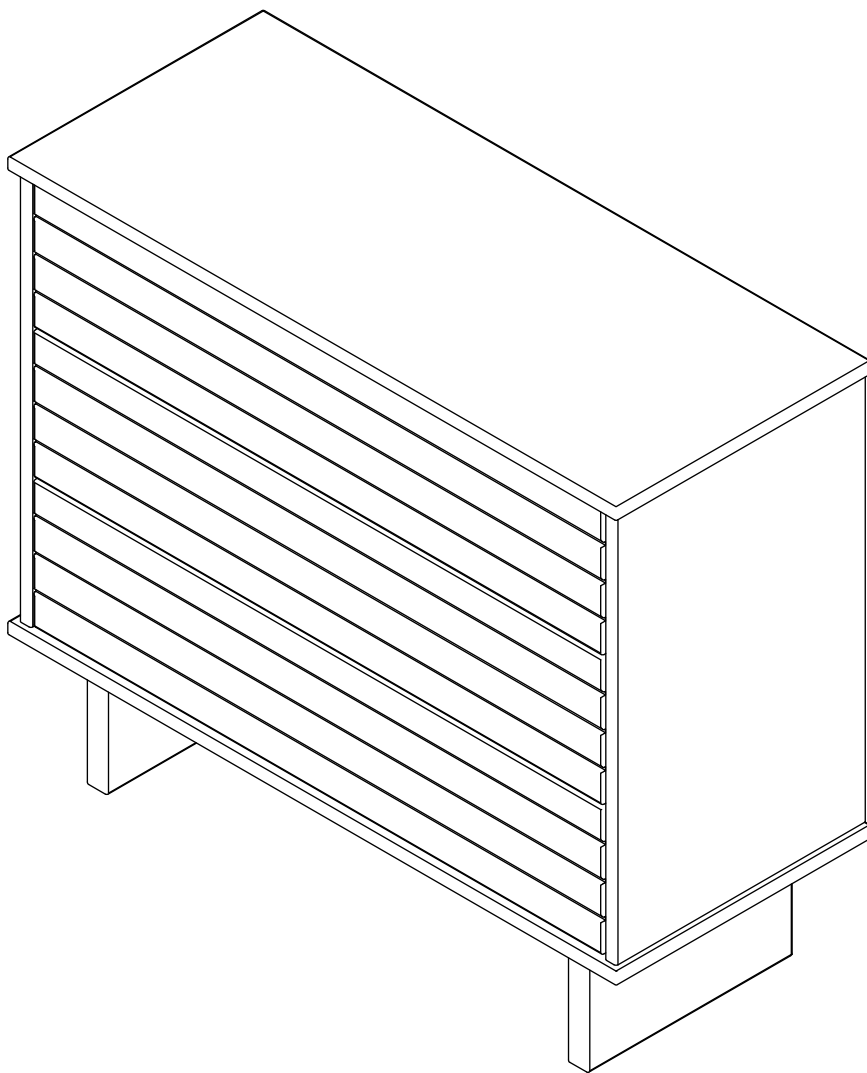


Assembly instruction



# KOMMO



**karup**

DESIGN

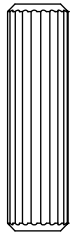
[karupdesign.com](http://karupdesign.com)

**Thank you for your purchase**

Tak for din bestilling  
Herzlichen Dank für Ihren Einkauf  
Vă mulțumim pentru comandă  
Merci de votre achat  
Bedankt voor uw aankoop  
Děkujeme vám za váš nákup  
Grazie per il tuo acquisto  
Gracias por su compra  
Kiitos ostoksestasi  
Takk for bestillingen din  
Dziękujemy za zakup  
Спасибо за покупку  
Tack för ditt köp  
ご購入ありがとうございます。  
구매해 주셔서 감사합니다

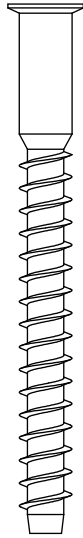
# FITTINGS

A X 42



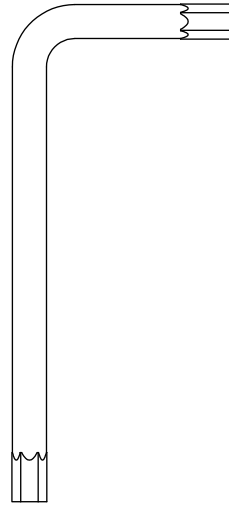
ø8 x  
30mm

B X 2



ø7 x  
70mm

C X 1



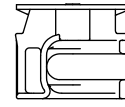
4 mm

D X 24



ø11mm

E X 12



ø15 x  
11mm

F X 17



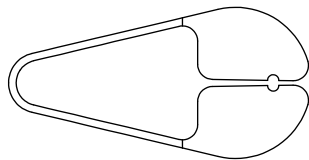
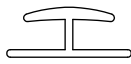
ø6,2 x  
50mm

G X 25



ø3,5 x

H X 1



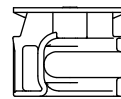
45 x 20 x  
16mm

J X 18



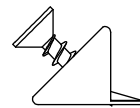
ø6,2 x  
13mm

K X 12



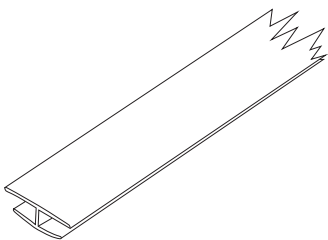
ø15 x  
11,4 mm

L X 18



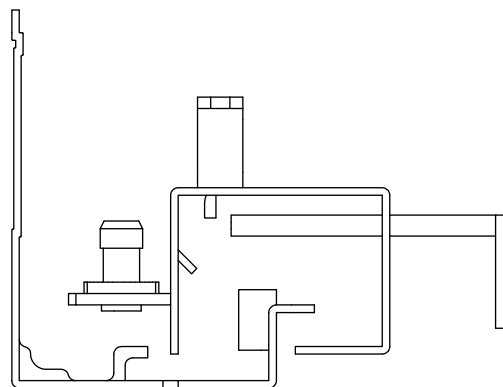
15 x 15 x  
10mm

M X 1



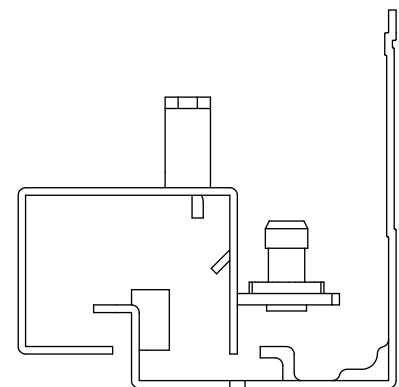
861 x 16,5 x  
6mm

I X 3 LEFT



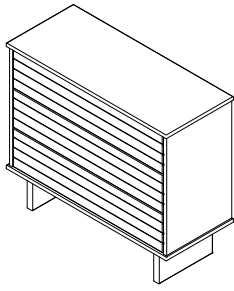
25 KG

I X 3 RIGHT

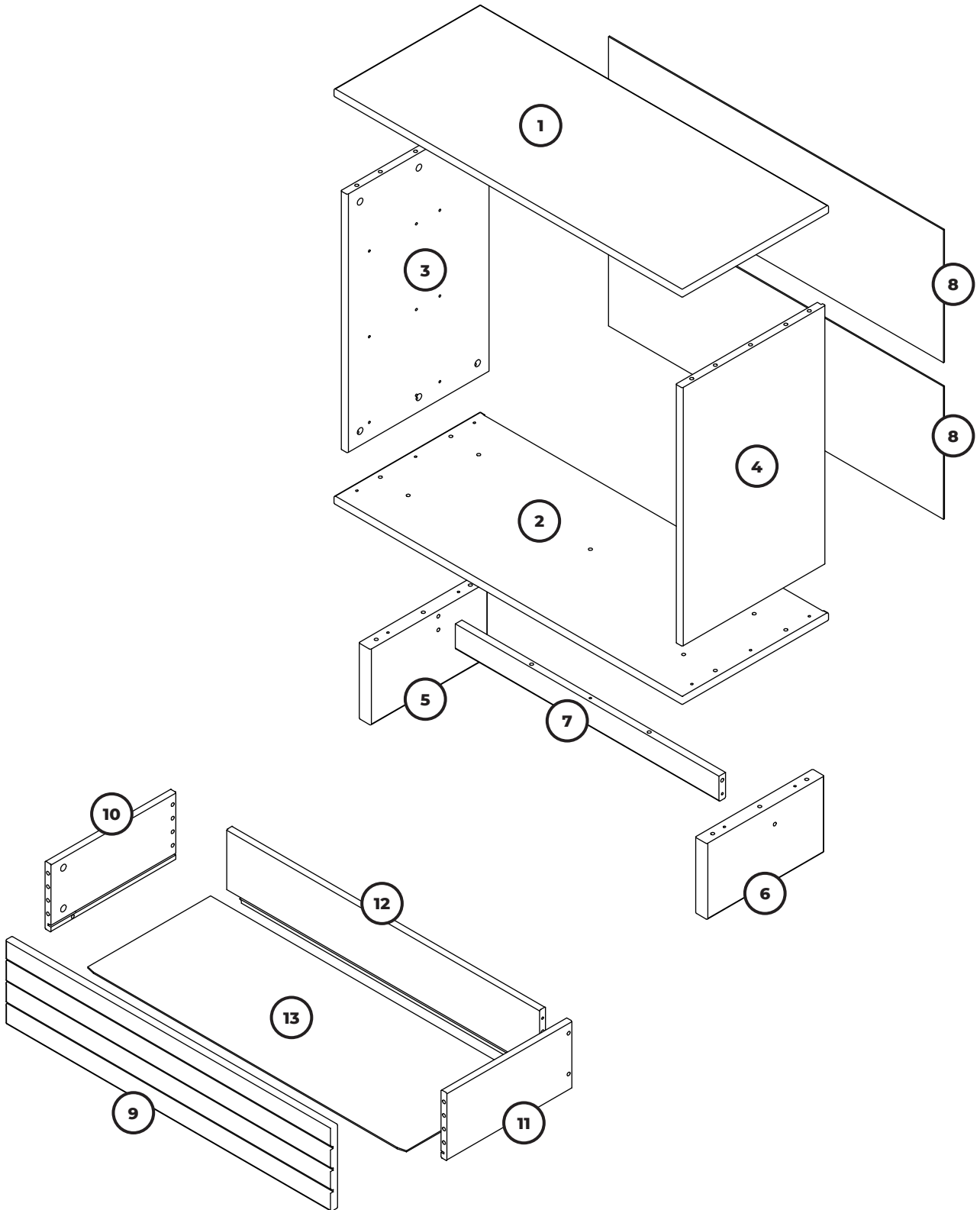


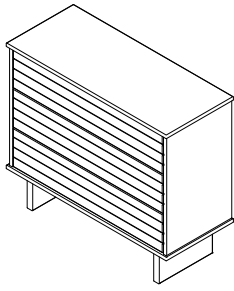
25 KG

\*Safety strap included, find the instruction in the package

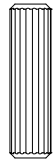


- |     |   |     |   |     |    |     |    |
|-----|---|-----|---|-----|----|-----|----|
| 1 x | 1 | 1 x | 5 | 1 x | 9  | 1 x | 13 |
| 1 x | 2 | 1 x | 6 | 1 x | 10 |     |    |
| 1 x | 3 | 1 x | 7 | 1 x | 11 |     |    |
| 1 x | 4 | 2 x | 8 | 1 x | 12 |     |    |





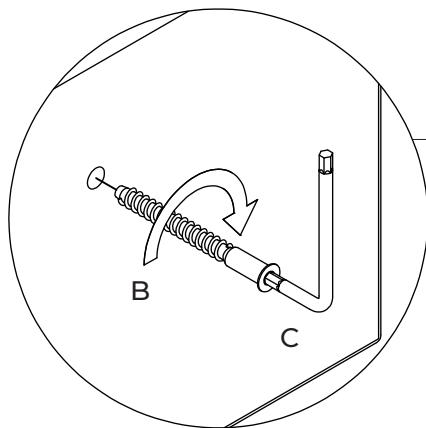
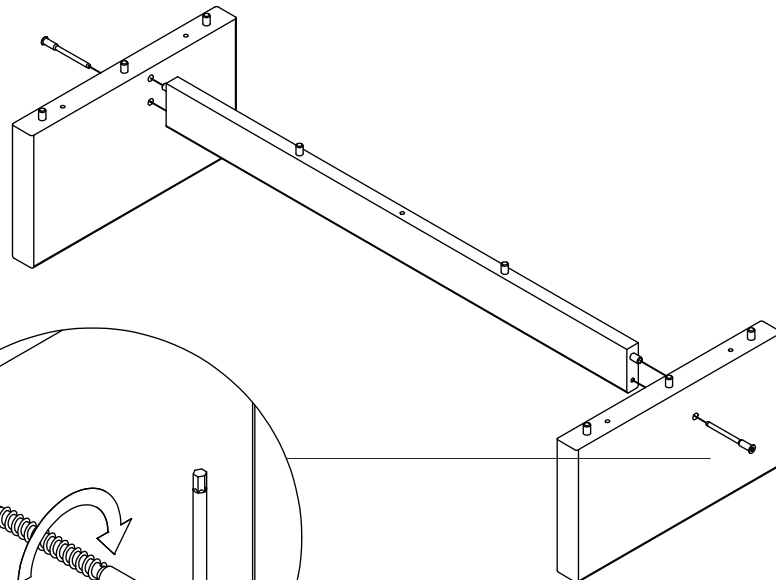
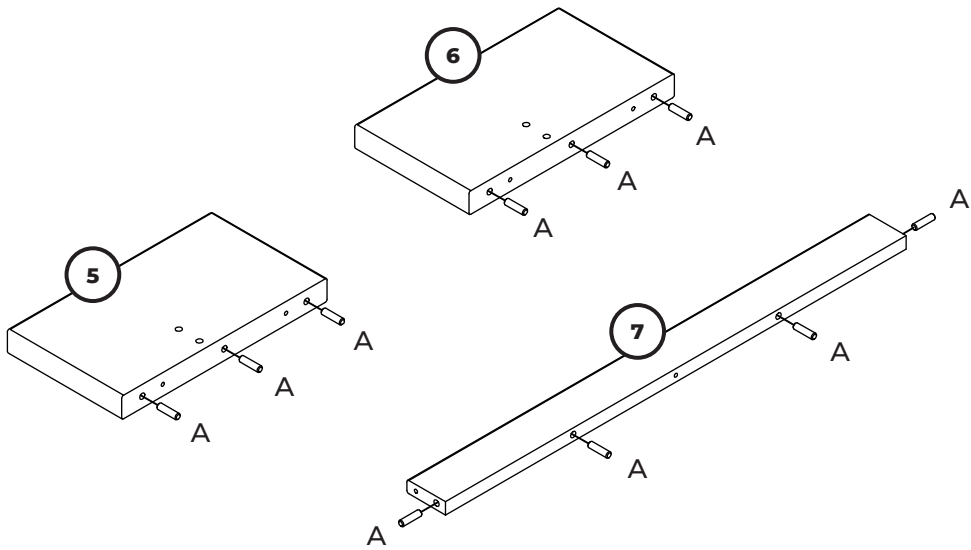
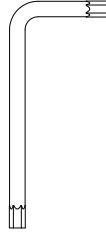
A X 10

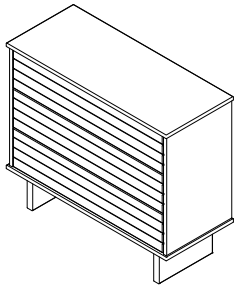


B X 2



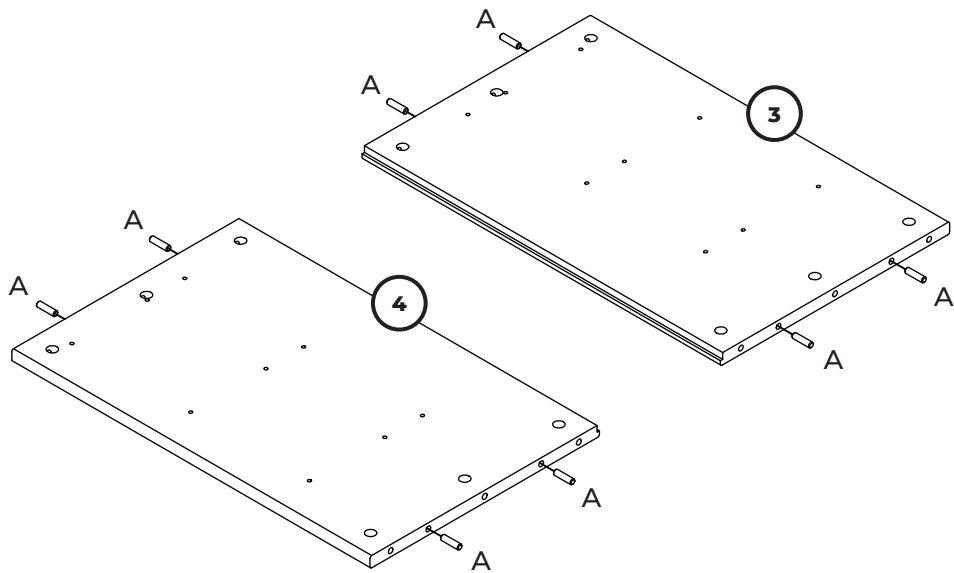
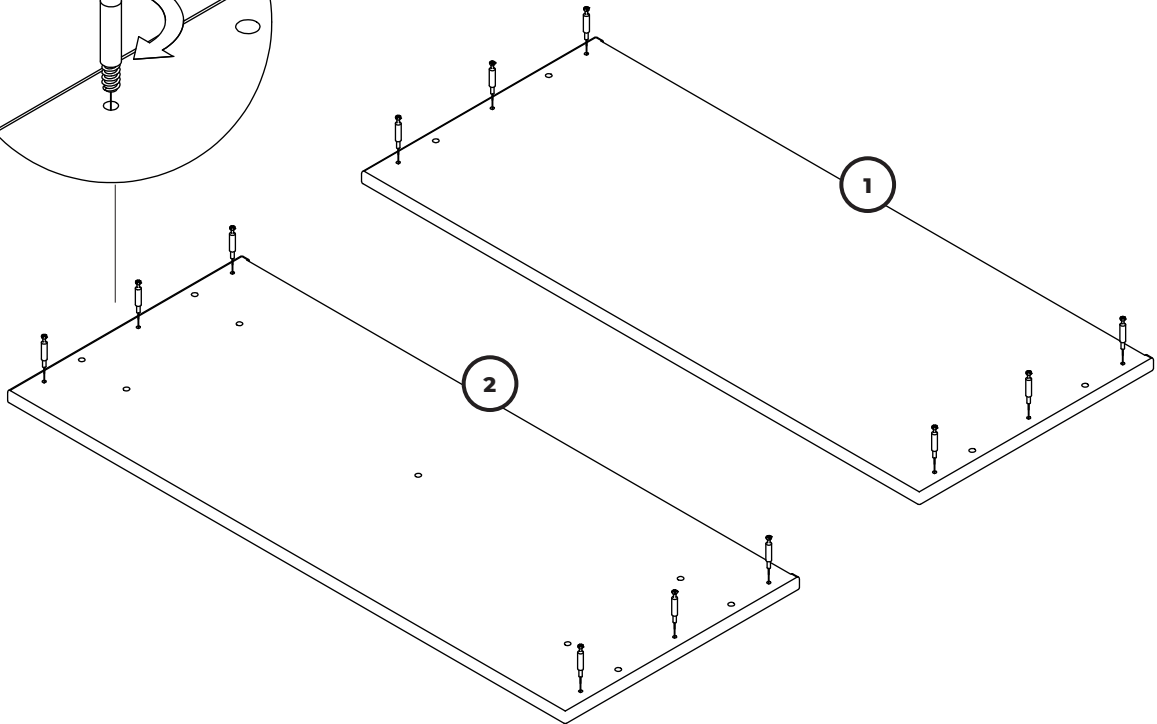
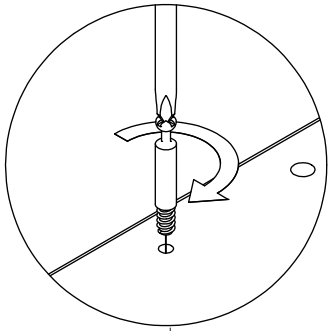
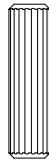
C X 1

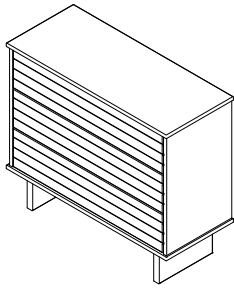




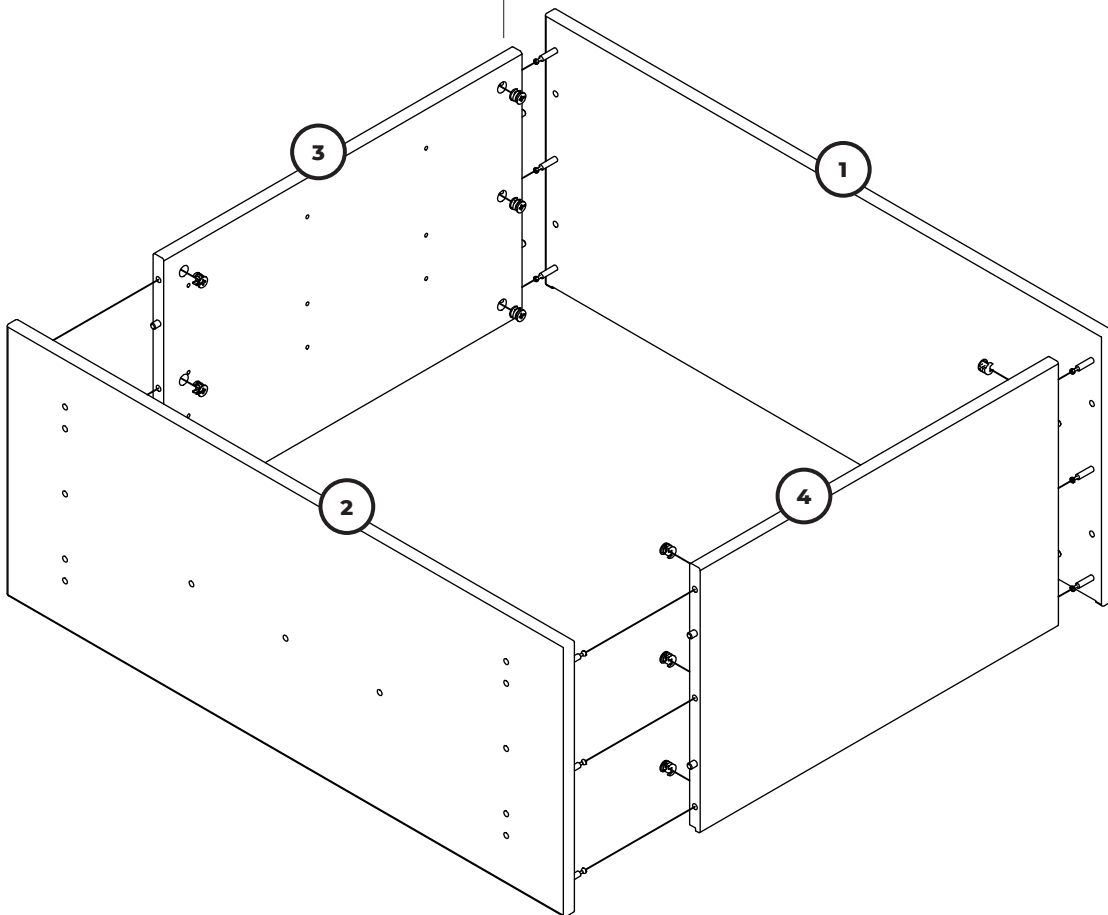
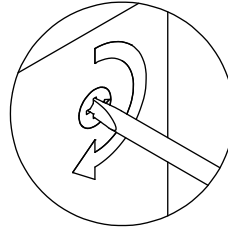
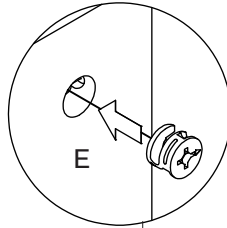
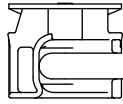
D X 12

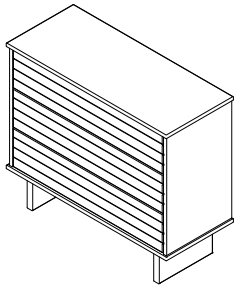
A X 8



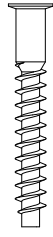


E X12

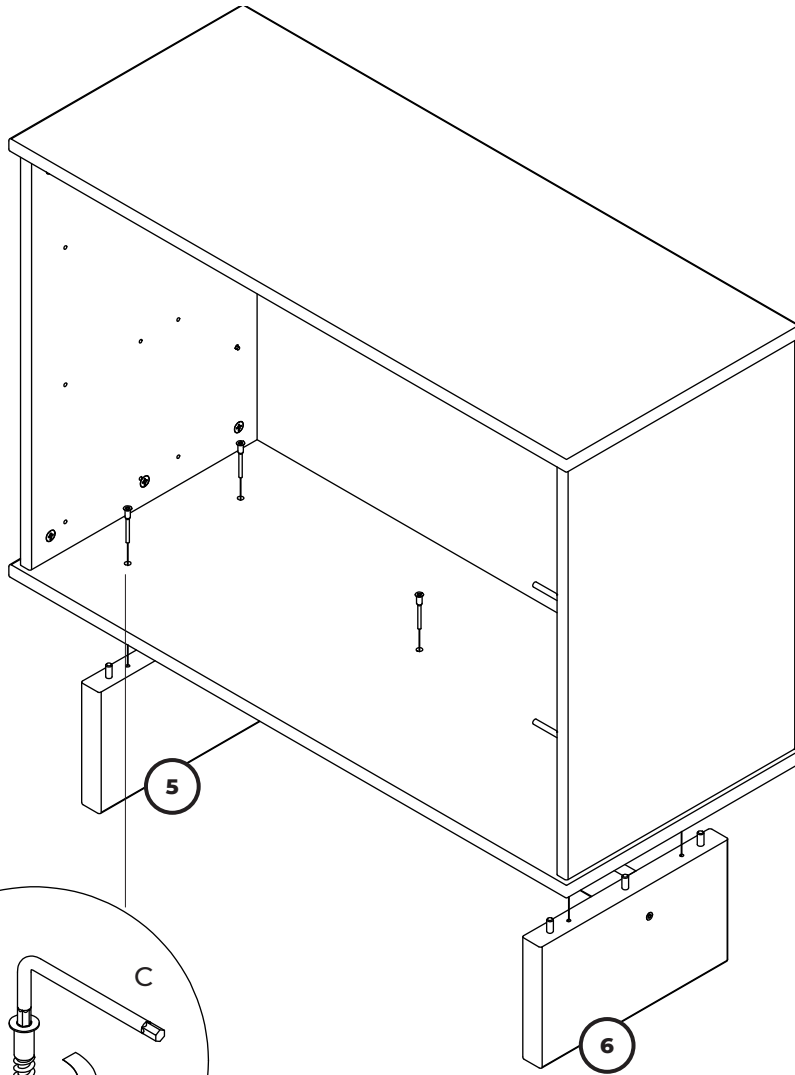




FX5

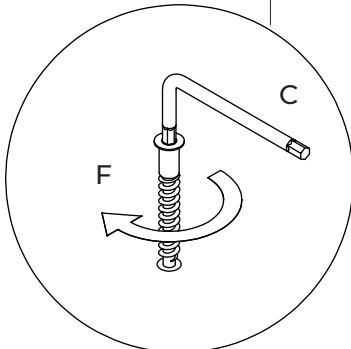


CX1

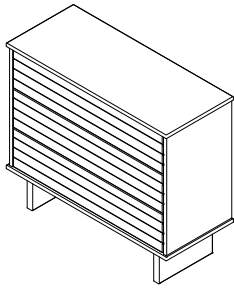


5

6



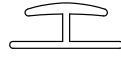




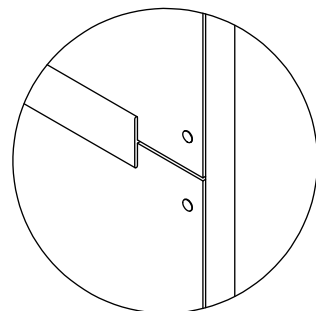
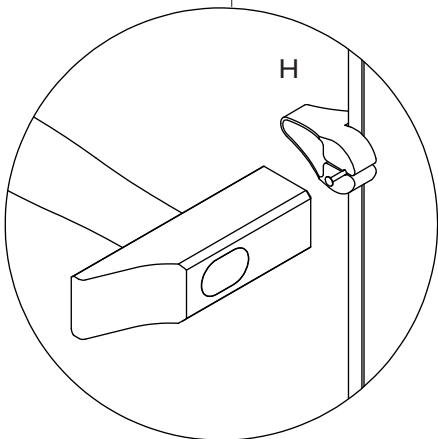
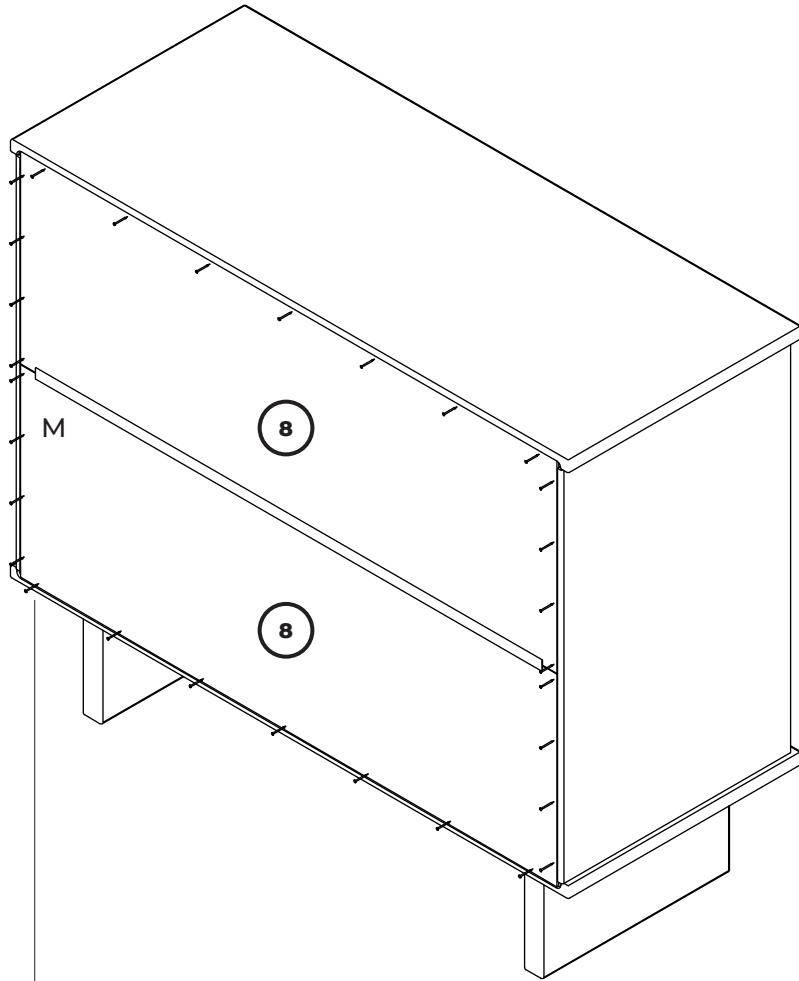
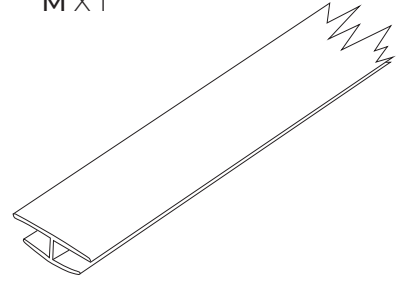
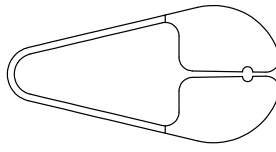
G X 25

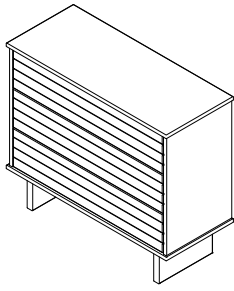


H X 1



M X 1

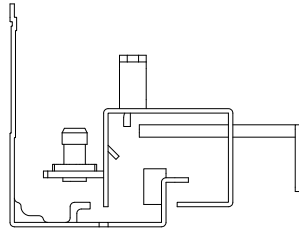




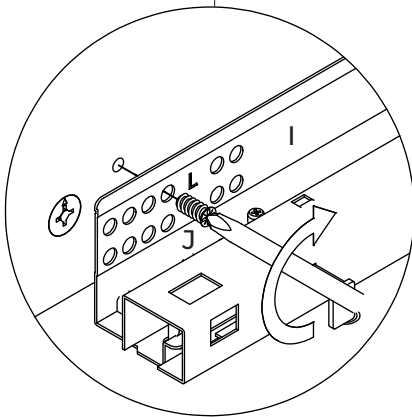
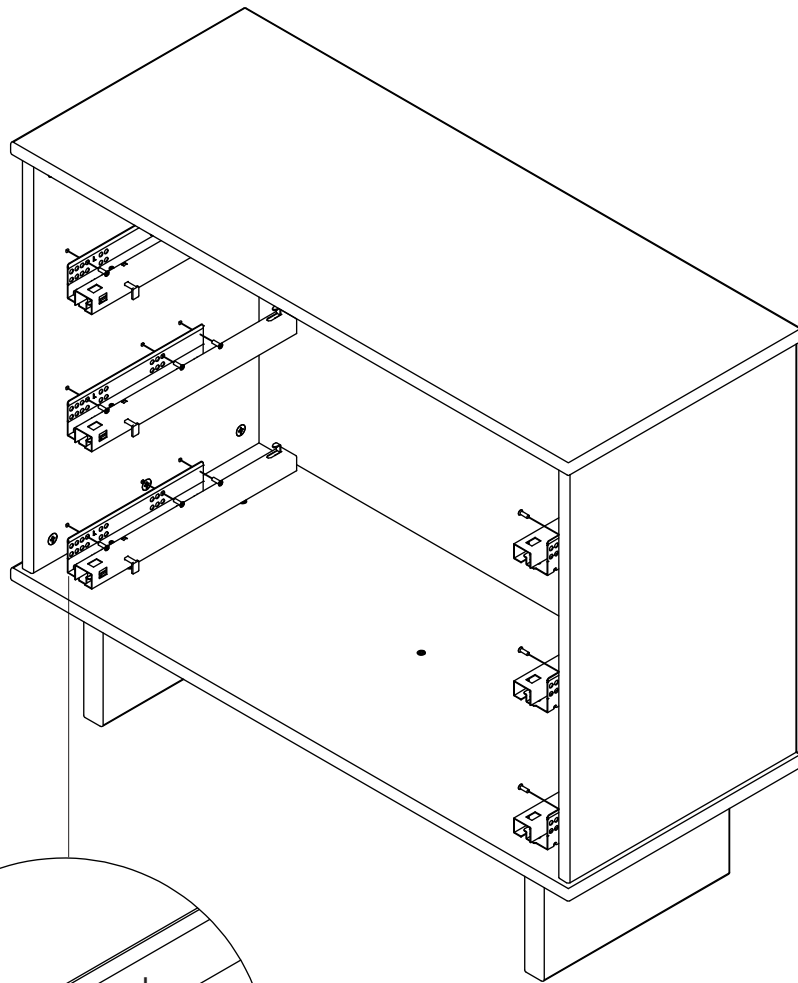
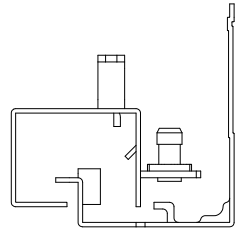
J X 18

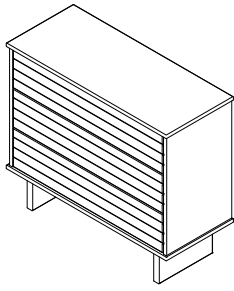


I X 3 LEFT



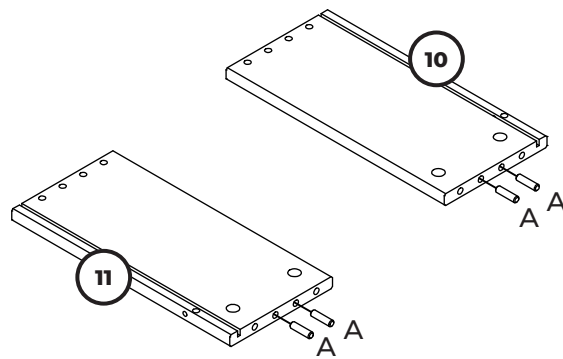
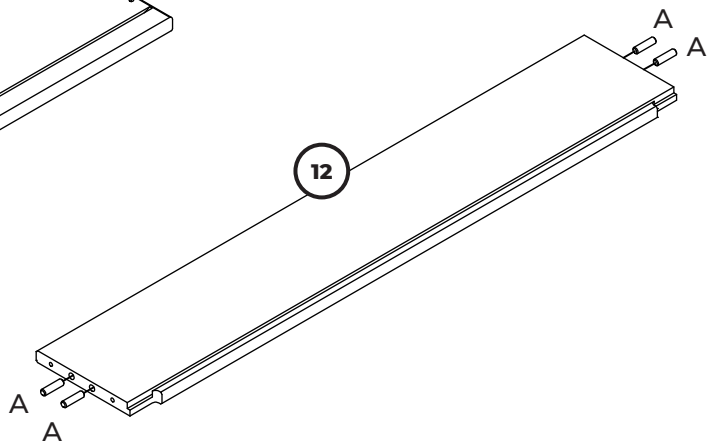
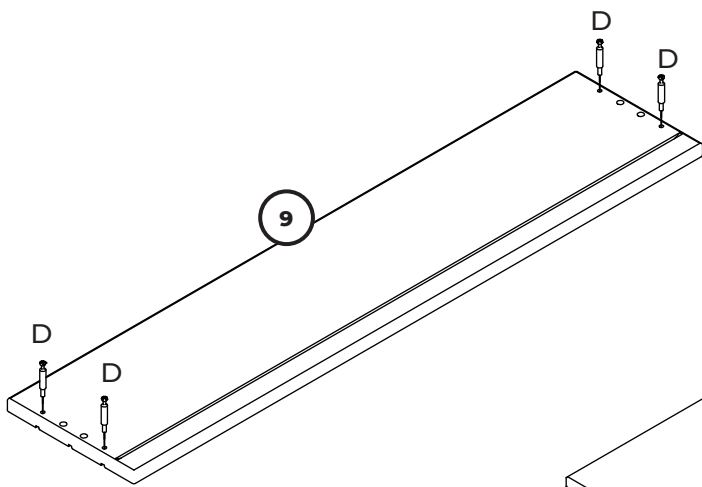
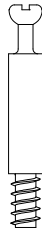
I X 3 RIGHT

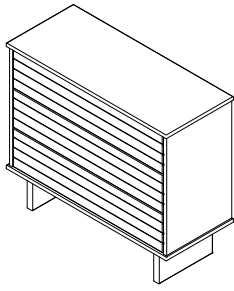




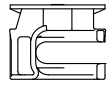
D X 4

A X 8





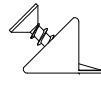
K X 12



F X 12



L X 18



C X 1

